

# 1500 Series™ Electric Strike

*Works with most brands  
of cylindrical and mortise  
locksets without a deadbolt*

Also available in  
a Complete One  
Box Solution



The most advanced, modular electric strike that works with most brands of cylindrical or mortise locks designed to work with a 4-7/8" strike plate.

The 1500 Series Electric Strike sets a new standard in the industry by offering dynamic integrated adjustability and field configurable options compatible with any cylindrical or mortise lock. The modular design of the platform makes stocking and installing easier with interchangeable faceplates and accessories. For the first time, the aesthetics of an electric strike are complementary to other surrounding door hardware and blend in with the opening due to the fully finished design, available in eight finishes.

## Features

### Standard Features

- Stainless steel construction
- Tamper resistant
- Static strength 1,500 lbs
- Dynamic strength 70 ft-lbs
- Endurance 1 million cycles
- Field selectable fail safe/fail secure
- Non-handed
- Interchangeable faceplates and accessories
- Field replaceable components
- Fully finished faceplate, keeper, case and trim
- Field adjustable integrated shim
- Strike body depth 1-3/8" [34.9mm]
- SecuriCare five-year, no-fault, no questions asked warranty

### Optional Features

- **LM** Lock monitor
- **DLM** Dual lock monitors
- **LMS** Lock monitor and strike monitor
- **DLMS** Dual lock monitors and strike monitor

### Accessories

- **157** Torx screws
- **HESCUT-MTK** Metal template kit
- **1500-104-xxx** Lip extension trim adapter (finish to match)
- **1500-106-xxx** 4500 adapter and trim enhancer kit (finish to match)
- **OPT-1SRK** Spring replacement kit
- **OPT-1LM** Single lock monitor
- **OPT-1DLM** Dual lock monitors
- **MOD-1SOL** Solenoid replacement module

For easy 3D instructions, download the BILT mobile app



Grade 1



SecuriCare  
Warranty



Mortise Locks  
without  
Deadbolt



Cylindrical  
Locksets



Field Selectable  
(Fail secure  
/Fail safe)



Dual Voltage  
12/24



PoE  
Friendly



Fire Rated



Windstorm  
Resistant



Outdoor  
Rated



Burglary  
Rated

h.e.s.

ASSA ABLOY

## Specifications

### Certifications

- ANSI/BHMA A156.31, Grade 1
- UL 1034 burglary-resistant listed and suitable for outdoor use
- UL 294 listed
- RoHS compliant
- UL 10C fire rated, 3-hour single door (fail secure only)
- UL 10C fire rated, 1-1/2 hour double door (fail secure only)
- CAN/ULC-S104 fire door conformant
- NFPA-252 fire door compliant
- ASTM-E152 fire door compliant
- California Fire Marshal listed
- ANSI/SDI A250.13 windstorm resistant
- Florida Building Code approved TAS 201, 202, 203
- ANSI-ASTM E330
- Sustainability documentation

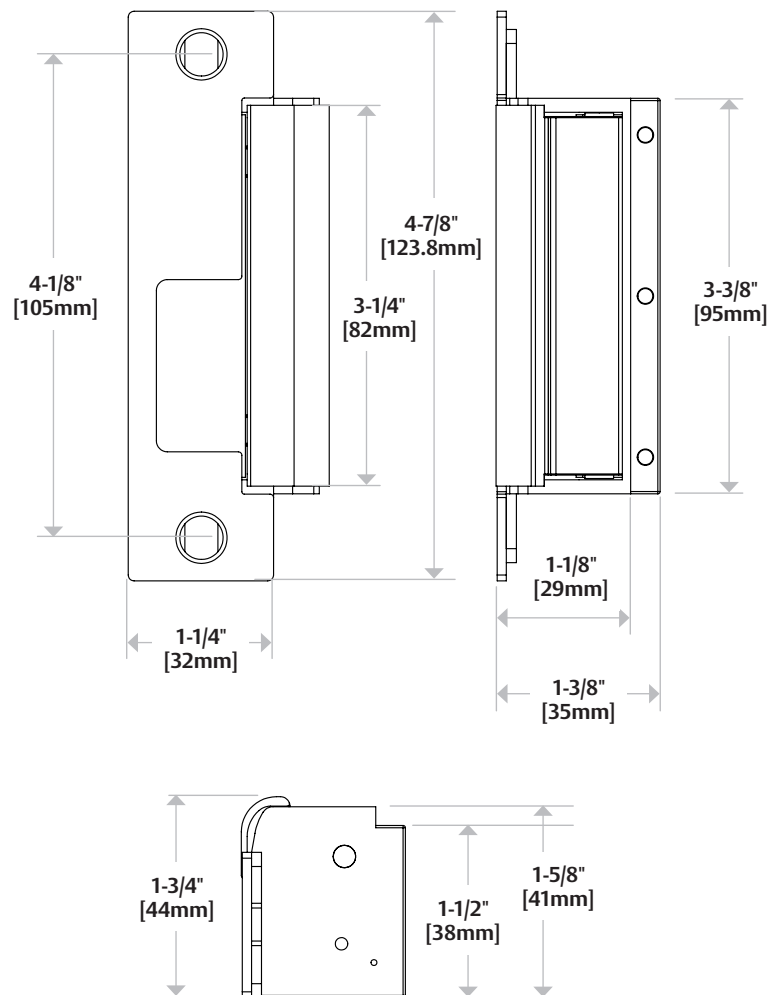
### Frame Application

- Metal
- Wood

### Electrical (DC Continuous Duty)

- Dual voltage 12/24 VDC/VAC
- 240 mA at 12 VDC/120 mA at 24 VDC
- PoE friendly

## Dimensions



## How to Order

SERIES	MODEL	FINISH*	OPTION (S)**
<b>1500</b>	—	— <b>630</b>	— <b>LM</b>
<b>1500</b> Universal Electric Strike; faceplate option kits ordered separately	<b>C*</b> Complete Electric Strike; includes 1LB faceplate kit for latchbolts	<b>605</b> Bright Brass <b>606</b> Satin Brass <b>612</b> Satin Bronze <b>613</b> Bronze Toned <b>613E</b> Dark Oxidized Satin Bronze Powder <b>629</b> Bright Stainless Steel <b>630</b> Satin Stainless Steel <b>BSP</b> Black Suede Powder	<b>(blank)</b> No Monitor <b>LM</b> Lock Monitor <b>DLM</b> Dual Lock Monitor <b>LMS</b> Lock Monitor and Strike Monitor <b>DLMS</b> Dual Lock Monitors and Strike Monitor

\*Complete Pacs are only available in the 630 finish \*\*LMS/DLMS factory installed only option.

NOTE: Electric strike compatibility is determined at time of electric strike product release. ASSA ABLOY is not responsible for incompatibility of products that have changed in design or craftsmanship by their respective manufacturers. When compatibility is a concern, contact Customer Support for application assistance.

## 1500C Complete Electric Strike

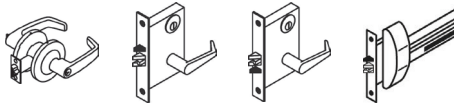
*For all cylindrical and mortise locksets with 3/4" latchbolt.*

The 1500C includes a 1500 electric strike body and the 1LB faceplate kit for latchbolts.

1J Option      1KM Option

1K Option      1KD Option

### Compatible Locksets



## 1600CS Complete Electric Strike

*The Complete One Box Solution for all cylindrical and mortise locksets, with or without a 1" deadbolt.*

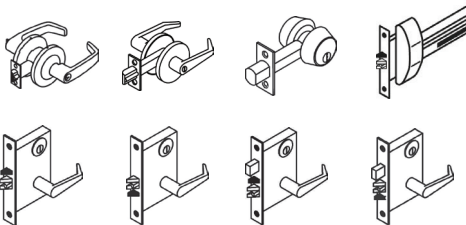
The 1600CS includes a 1600 electric strike body, the 1LB faceplate kit for latchbolts and the 1DB faceplate kit for deadbolts.

1J Option      1KD Option      1ND Option

1K Option      1N Option      1NTD Option

1KM Option      1NM Option

### Compatible Locksets



## 1600CLB Complete for Latchbolt Locks

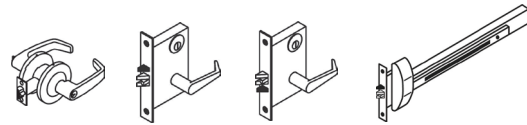
*The Complete One Box Solution for all cylindrical and mortise locksets.*

The 1600CLB includes a 1600 electric strike body and the 1LB faceplate kit for latchbolts.

1J Option      1KM Option

1K Option      1KD Option

### Compatible Locksets



## 1600CDB Complete for Deadbolt Locks

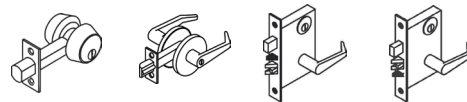
*The Complete One Box Solution for all locksets with a 1" deadbolt.*

The 1600CDB includes a 1600 electric strike body and the 1DB faceplate kit for deadbolts.



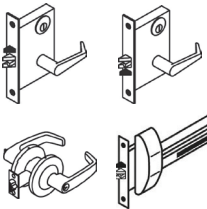


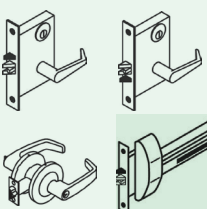


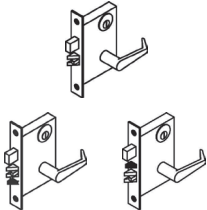


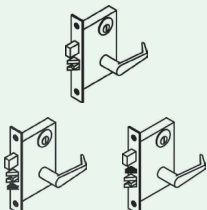
1N Option      1ND Option

1NM Option      1NTD Option

### Compatible Locksets

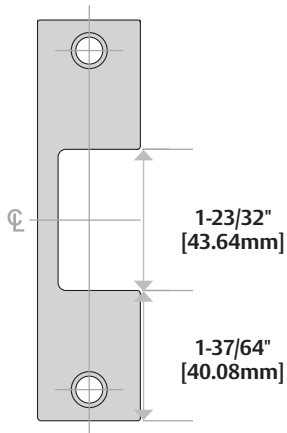


# 1500 | 1600 | ES100 Series Faceplate Options

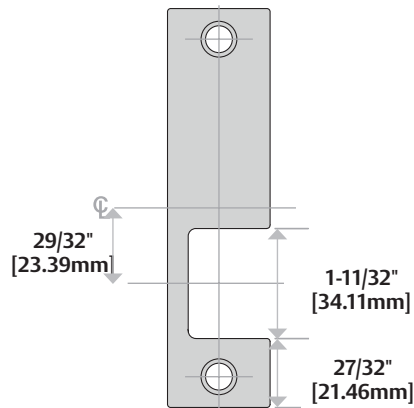
<p><b>OPERATION</b></p>	 <p>Cylindrical Locksets Mortise Locks without Deadbolt</p>	<p>After releasing the latchbolt, the keeper returns to the locked position.</p>
 <p>4-7/8" x 1-1/4" [123.8mm x 31.75mm]</p>	<p><b>1LB Option</b></p> <p><b>The Latchbolt Solution:</b> Includes the hardware to accommodate every cylindrical and mortise lock up to a 3/4" [19mm] latchbolt. For metal frame applications.</p>	
<p><b>OPERATION</b></p>	 <p>Cylindrical Locksets Mortise Locks without Deadbolt</p>	<p>After releasing the latchbolt, the keeper returns to the locked position.</p>
 <p>9" x 1-3/8" [123.8mm x 34.9mm]</p>	<p><b>1LB-2 Option</b></p> <p><b>The Latchbolt Solution:</b> Includes the hardware to accommodate every cylindrical and mortise lock up to a 3/4" [19mm] latchbolt. For wood frame applications.</p>	
<p><b>OPERATION</b></p>	 <p>Mortise Locks with Deadbolt</p>	<p>After releasing the latchbolt, the keeper returns to the locked position.</p>
 <p>4-7/8" x 1-1/4" [123.8mm x 31.75mm]</p>	<p><b>1DB Option (1600 Only)</b></p> <p><b>The Deadbolt Solution:</b> Includes all hardware to retain, and release all mortise locks, and tubular deadbolts up to a 1" latchbolt. For metal frame applications.</p> <p><i>Mode 1: Night latch function. The deadbolt is retracted during traffic hours. The latchbolt is released by the keeper and keeper returns to the locked position.</i></p> <p><i>Mode 2: Lockout function. The electric strike will not release if the deadbolt is extended.</i></p>	
<p><b>OPERATION</b></p>	 <p>Mortise Locks with Deadbolt</p>	<p>After releasing the latchbolt, the keeper returns to the locked position.</p>
 <p>9" x 1-3/8" [123.8mm x 34.9mm]</p>	<p><b>1DB-2 Option (1600 Only)</b></p> <p><b>The Deadbolt Solution:</b> Includes all hardware to retain, and release all mortise locks, and tubular deadbolts up to a 1" latchbolt. For wood frame applications.</p> <p><i>Mode 1: Night latch function. The deadbolt is retracted during traffic hours. The latchbolt is released by the keeper and keeper returns to the locked position.</i></p> <p><i>Mode 2: Lockout function. The electric strike will not release if the deadbolt is extended.</i></p>	

# 1500 | 1600 | ES100 Series Faceplate Option Dimensions

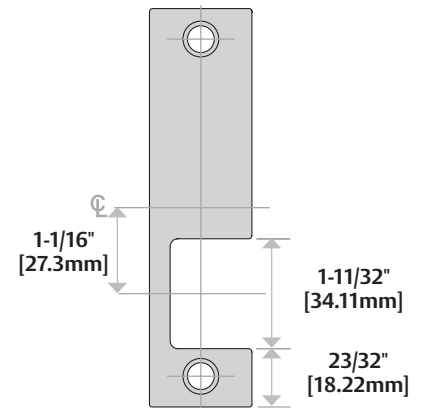
1J



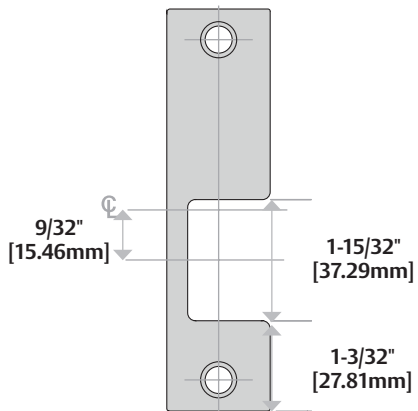
1K



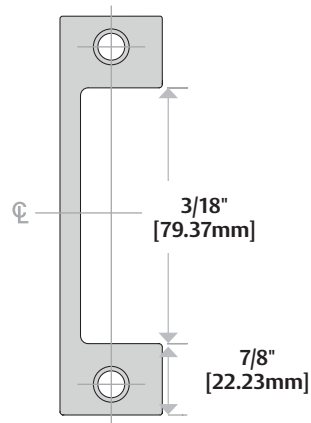
1KD



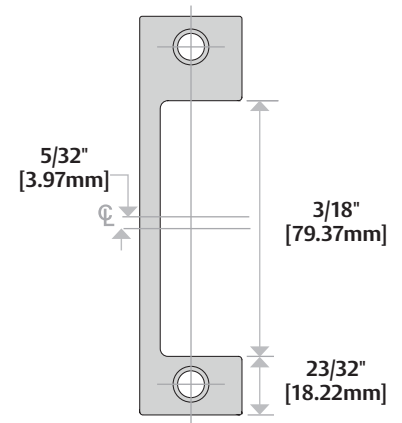
1KM



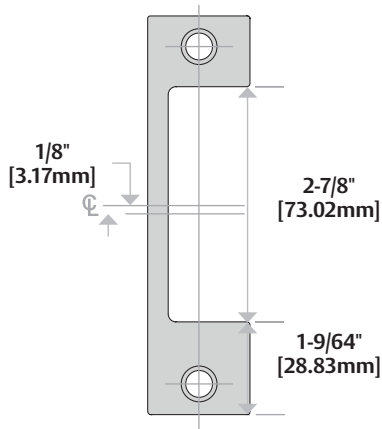
1N



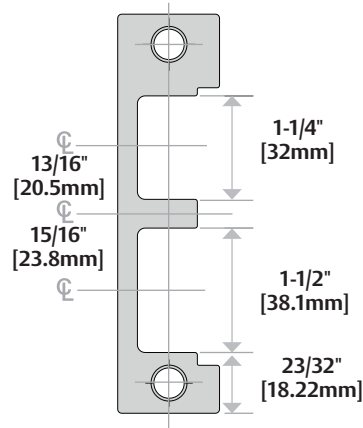
1ND



1NM



1NTD



# 1500 | 1600 | ES100 Series Faceplate Option Dimensions

