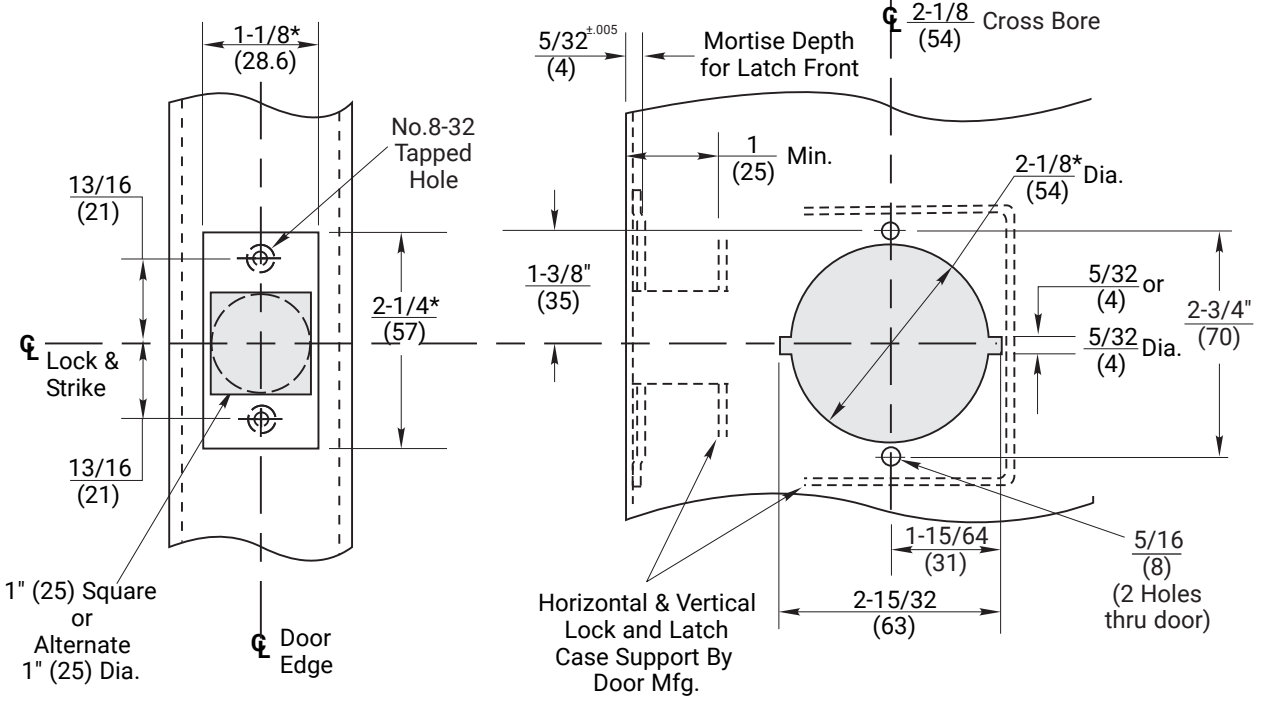
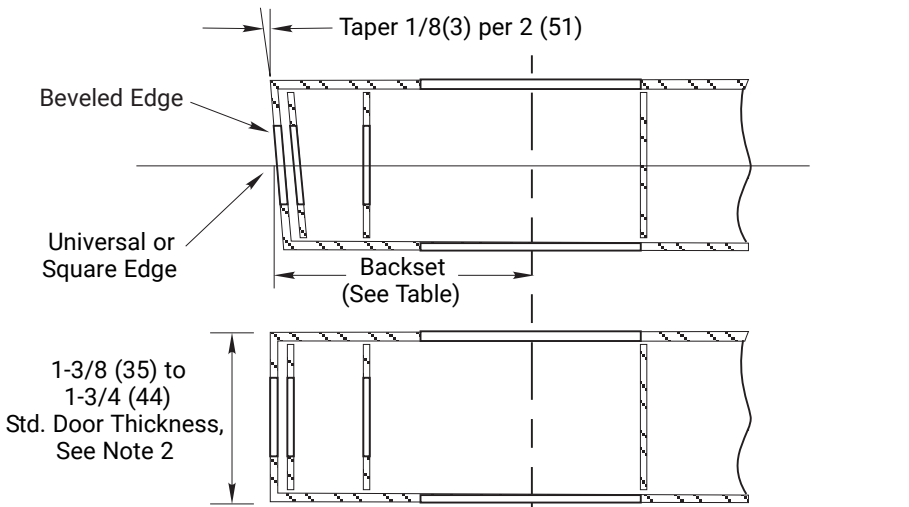


DO NOT SCALE

5400LN SERIES Key-In Lever Cylindrical Locks				
Backset	1/2" Throw		3/4" Throw	
	Latch No.	Link No.	Latch No.	Link No.
2-3/4 (70)	693 or 694	-	480B	-
3-3/4 (95)	3693 or 3694	-	3480B	-
5 (127)	693 or 694	481DL	480B	481DL
6 (152)	3693 or 3694	481	3480B	481
7 (178)	693 or 694	482	480B	482
8 (203)	3693 or 3694	482	3480B	482
18 (457)	693 or 694	484	480B	484
19 (483)	3693 or 3694	484	3480B	484

- Notes:**
- For strike preparation refer to:
495 Strike - Template No. 7102-0005
497 Strike - Template No. 7102-0003
 - The 5400LN locks can be installed on 1-3/8" (35mm) thick doors by using two (2) #14-5401-6644 spacers under the inside and outside roses.
 - For wood door preparation refer to Template No. 7150-0057.
 - Door manufacturer must provide supports within the door to keep the door from collapsing when lock is installed. Back of latch case must also be supported.
 - All dimensions given in inches (mm).
 - For universal or square edge doors use latchbolts with flat front (i.e. F694, F480B, etc.)
 - Dimensions marked with * have tolerances of +1/32, -0.



Experience a safer and more open world

5400LN Series Key-in-Lever Cylindrical Locks - 1-1/8" Wide Front
 H.M. Door Preparation (See ANSI/BHMA A156.115) 2-3/4" and Optional Backsets
1-855-557-5078 Ext. 2 www.accentra-assaabloy.com

Template Number:
7150-0056
 Date: 05/24
 Sheet: 1 of 1

