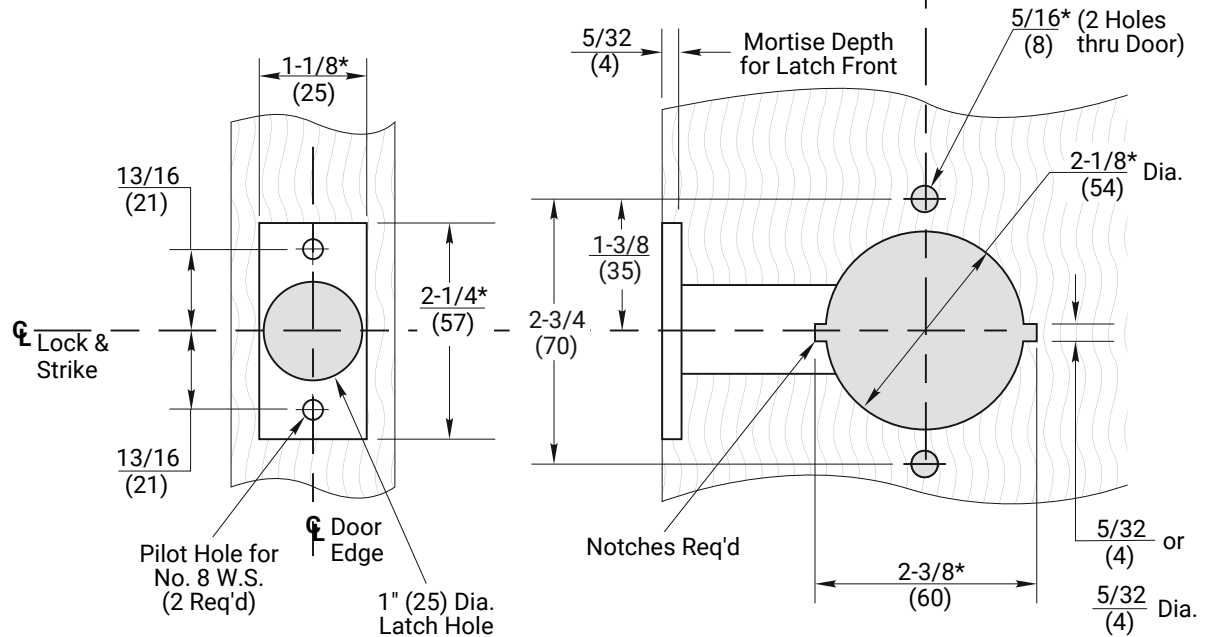
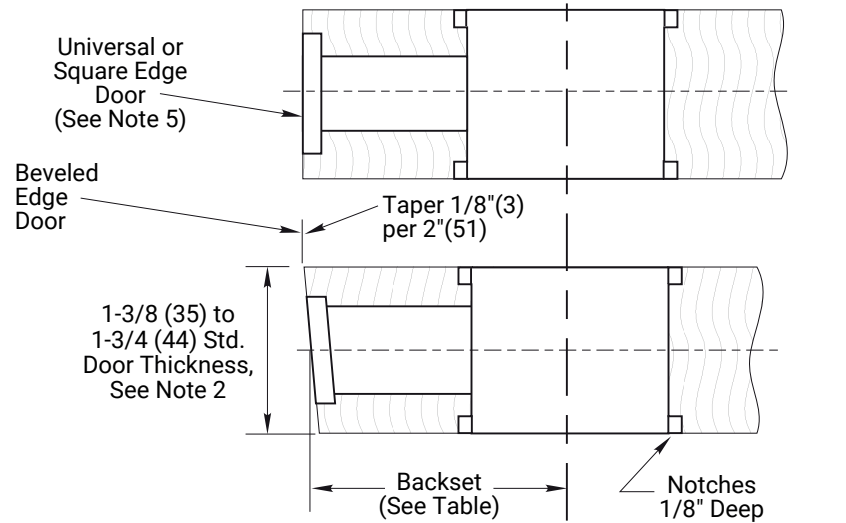


5400LN SERIES Key-In Lever Cylindrical Locks				
Backset	1/2" Throw		3/4" Throw	
	Latch No.	Link No.	Latch No.	Link No.
2-3/4 (70)	693 or 694	-	480B	-
3-3/4 (95)	3693 or 3694	-	3480B	-
5 (127)	693 or 694	481DL	480B	481DL
6 (152)	3693 or 3694	481	3480B	481
7 (178)	693 or 694	482	480B	482
8 (203)	3693 or 3694	482	3480B	482
18 (457)	693 or 694	484	480B	484
19 (483)	3693 or 3694	484	3480B	484

DO NOT SCALE



Notes:

- For strike preparation refer to:
495 Strike -Template No.7102-0005
497 Strike -Template No.7102-0003
- The 5400LN locks can be installed on 1-3/8" (35mm) thick doors by using two (2) #14-5401-6644 spacers under the inside and outside roses.
- For HM door preparation refer to Template No.7150-0056.
- All dimensions given in inches (mm).
- For universal or square edge doors use latchbolts with flat front (i.e.F694, F480B, etc.)
- Dimensions marked with * have tolerances of +1/32, -0.

Experience a safer and more open world

**5400LN Series Key-In-Lever Cylindrical Locks -
1-1/8" Wide Front
Wood Door Preparation (See ANSI/BHMA A156.115)
2-3/4" and Optional Backsets**

1-855-557-5078, Ext. 2 www.accentra-assaabloy.com

**Template Number:
7150-0057**

Date: 05/24

Sheet: 1 of 1

