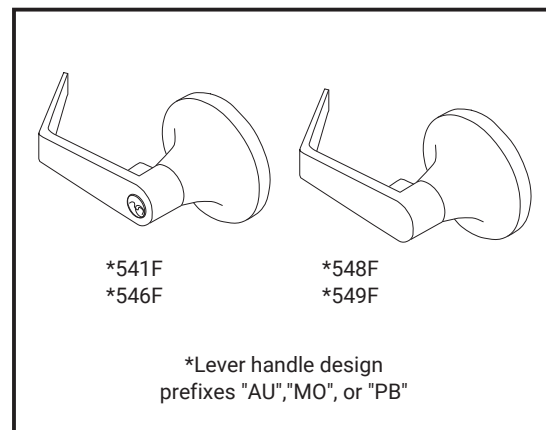
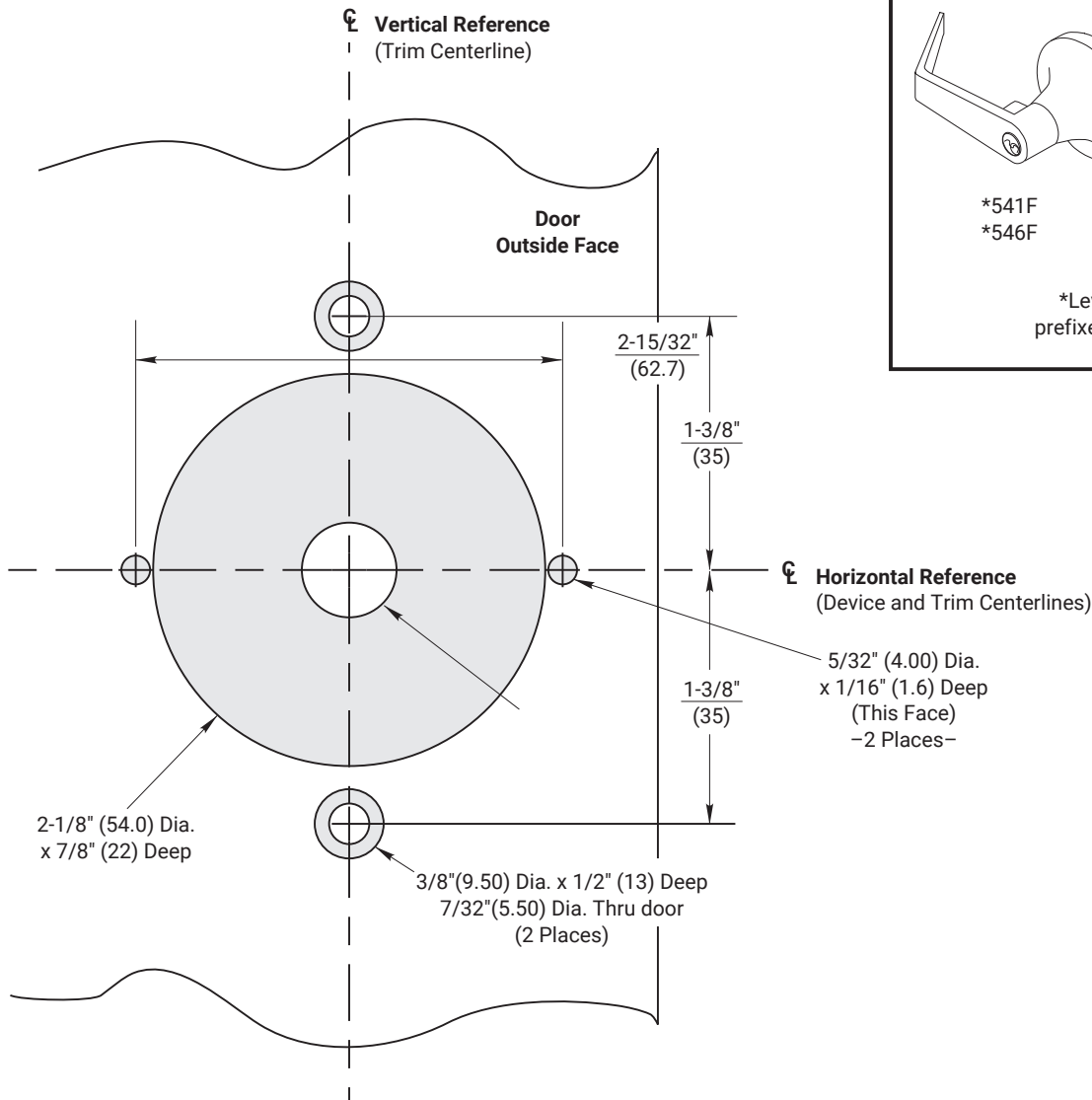


**NOTES:**

1. This template is an addition to the device template. Locate centerlines using horizontal and vertical references on device template.
2. Do not scale drawing.
3. Dimensions are in inches (mm).
4. LHR door shown. Preparation is typical for both door hands.
5. Prepare mounting holes when installing trim.
6. Provide adequate structural support to maintain door integrity during operation.
7. With rim and surface vertical rod exit devices, stock doors with ANSI A115.W2 cutout may be substituted (specifier's option).  
These doors require a filler plate for the door edge cutout (by others).
8. Dimensions given about a centerline are symmetrical.



**RESPONSIBILITY**  
 DOOR AND FRAME MANUFACTURERS ARE RESPONSIBLE FOR PROVIDING ADEQUATE CONSTRUCTION OR REINFORCEMENTS FOR PROPER INSTALLATION OF HARDWARE SHOWN. ALL ARCHITECTURAL BUILDERS HARDWARE MUST BE INSTALLED ON PROPERLY REINFORCED DOORS AND FRAMES, REGARDLESS OF TYPE, MATERIAL, OR METHOD OF CONSTRUCTION.

**541F, 546F, 549F and 548F Series Trim**  
 With 2100(F), 6100(F), or 7100 (F) Series Rim and Vertical Rod Exit Devices  
 Wood Door Preparation  
 1-855-557-5078 Ext. 2  
 www.accentra-assaabloy.com

**ACCENTRA**  
**ASSA ABLOY**

Experience a safer  
 and more open world

Copyright © 2015, 2023, 2024, ASSA ABLOY Access and Egress Hardware Group, Inc. All rights reserved. Reproduction in whole or in part without the express written permission of ASSA ABLOY Access and Egress Hardware Group, Inc. is prohibited

SUPERSEDES 7400-1541 (12/23)	DO NOT SCALE DRAWING	
TEMPLATE NUMBER	SHEET	DATE
7400-1541	1 of 1	05/24