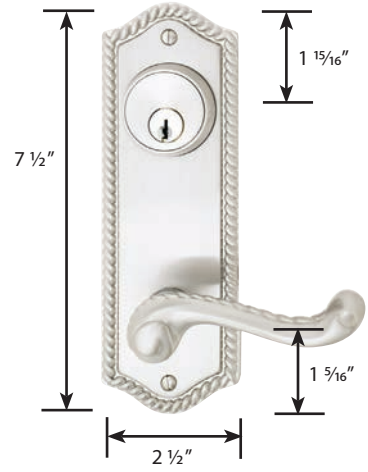
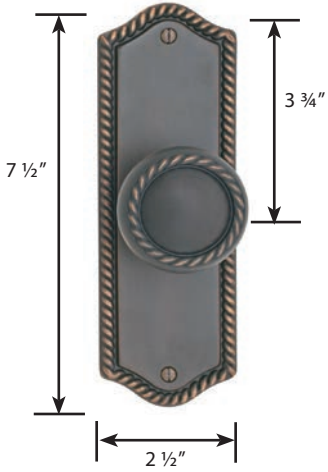


Rope Plates are $\frac{3}{8}$ " Thick

Non-Keyed
 Passage (7109)
 Privacy (7209)
 Dummy (7059)

Keyed
3 $\frac{5}{8}$ " C-to-C
 Single Cylinder (7090)
 Double Cylinder (7091)
 Dummy (7095)



Non-Keyed
 Passage (7710)
 Privacy (7810)
 Dummy (7850)

Keyed
5 $\frac{1}{2}$ " C-to-C
 Single Cylinder (7990)
 Double Cylinder (7991)
 Dummy (7995)

