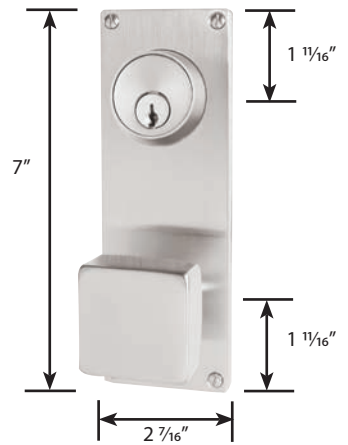
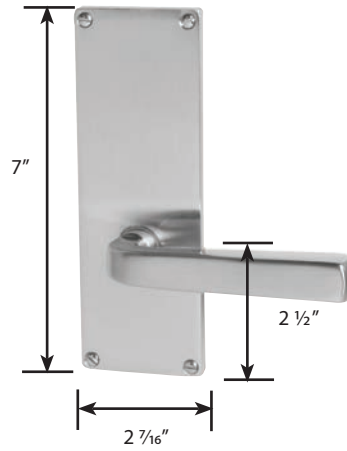


Modern Plates are $\frac{3}{8}$ " Thick

Non-Keyed
 Passage (8111)
 Privacy (8211)
 Dummy (8011)

Keyed
3 $\frac{5}{8}$ " C-to-C
 Single Cylinder (8112)
 Double Cylinder (8212)
 Dummy (8012)



Non-Keyed
 Passage (8113)
 Privacy (8213)
 Dummy (8013)

Keyed
5 $\frac{1}{2}$ " C-to-C
 Single Cylinder (8114)
 Double Cylinder (8214)
 Dummy (8014)

