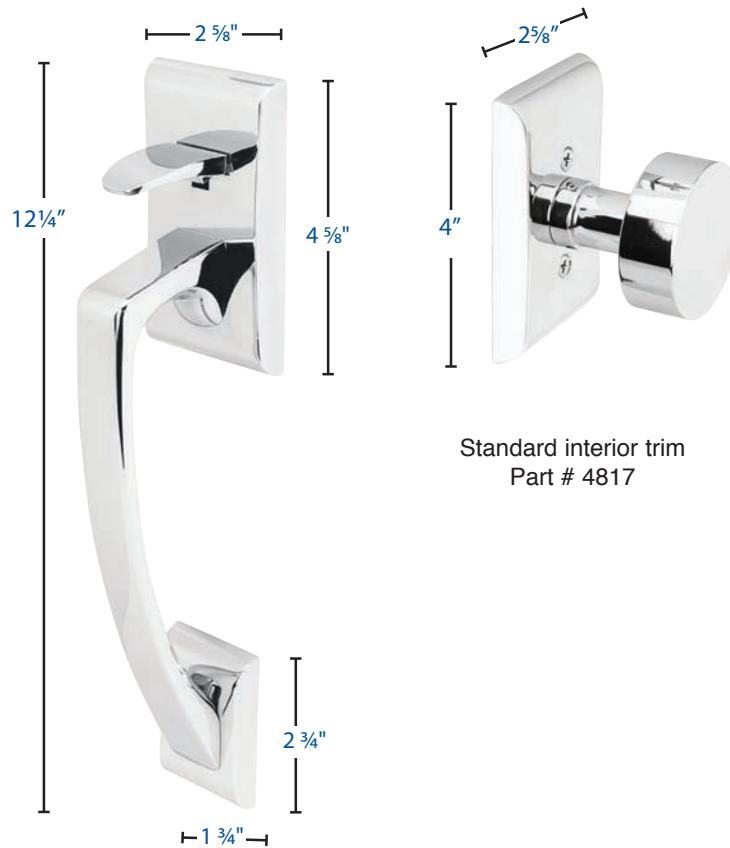
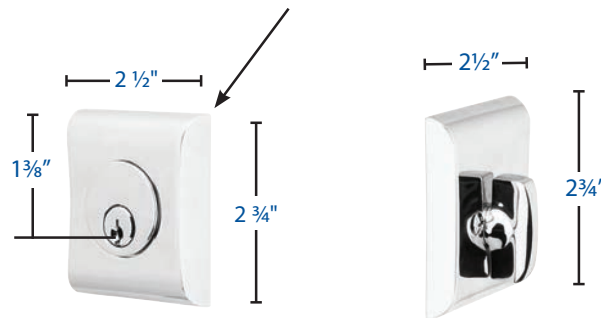


Deadbolt Plate Thickness: 5/8"



Standard interior trim  
Part # 4817

Ares Style  
Part # 4817

**Additional Dimensions: (Part # 4817)**

- Exterior Projection is 2 3/4"
- Interior Projection Depends on Handle Style
- Overall Grip thickness: 1 1/16"
- Clearance between door & grip is 1" - 1 3/8"
- Plates thickness: 7/16"

**Same Dimensions for  
Double Cylinder & Dummy Function**