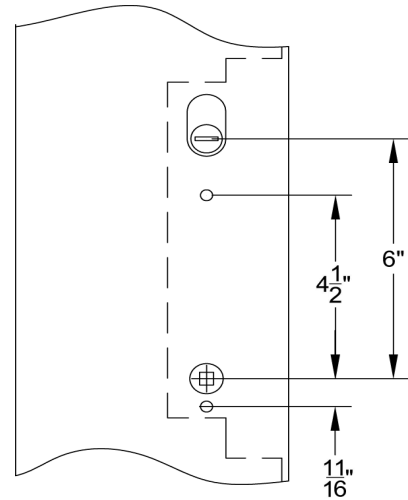
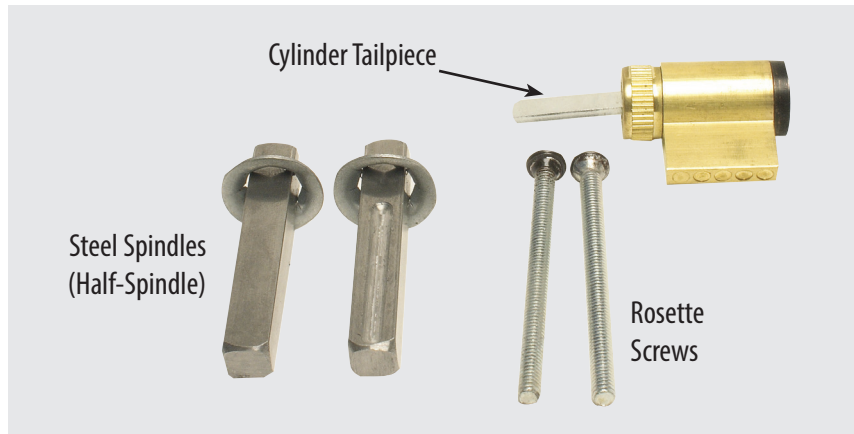


Door Configuration #7 American Cylinder Above Handle 6" Center to Center



Keyed Plates with American Cylinder Includes non-keyed thumbturn inside

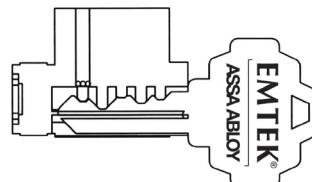
Standard Door Thickness: from 1 5/8" to 2"	Extended Door Thickness: Over 2" to 2 3/4"
<p>Standard Components:</p> <ul style="list-style-type: none"> • Single Cylinder Tailpiece • 2" Steel Spindles (Half-spindle) • 2" Rosette Screws for 1 5/8" - 1 3/4" thick door • 2 1/2" Rosette Screws for 1 3/4" - 2" thick door 	<p>Extended Components:</p> <ul style="list-style-type: none"> • Long Single Cylinder Tailpiece • 2" Steel Spindles (Half-spindle) • 2 1/2" Rosette Screws 2" - 2 1/4" thick door • 3" Rosette Screws for 2 1/4" - 2 3/4" thick door

Non-Keyed Plates Includes non-keyed passage, fixed handle out/operating handle in, & dummy (uses screws only)

Standard Door Thickness: from 1 5/8" to 2"	Extended Door Thickness: Over 2" to 2 3/4"
<p>Standard Components:</p> <ul style="list-style-type: none"> • Thumbturn Tailpiece • 2" Steel Spindles (Half-spindle. No spindle for fixed handles) • 2" Rosette Screws for 1 5/8" - 1 3/4" thick door • 2 1/2" Rosette Screws for 1 3/4" - 2" thick door 	<p>Extended Components:</p> <ul style="list-style-type: none"> • Long Thumbturn Tailpiece • 2" Steel Spindles (Half-spindle. No spindle for fixed handles) • 2 1/2" Rosette Screws 2" - 2 1/4" thick door • 3" Rosette Screws for 2 1/4" - 2 3/4" thick door

CONSTRUCTION KEYING

- Lost ball system.
- Last four pin locations drilled for lost ball application.
- Master key pins used for code variability.
- Construction keys and owner keys sent separately.
- Order by indicating "**Construction Keyed, House # _**" next to applicable locks.



- Construction devices used on one or more of last four positions.



- Dimples drilled in plug in this position.

Charge for Construction Keying - \$3.00 (NET)
• Locks that are both construction keyed and keyed alike in a house group will be charged a total of \$5.00 (NET) per cylinder.

Charge for Re-Keying - \$2.00 (NET) per Cylinder
• Locks that are keyed to code or keyed alike in a house group will be charged \$2.00 (NET) per cylinder.

Keying to Code
• Order by indicating "Key Code XXXXX" next to applicable locks.

Keying Alike
• Order by indicating "Keyed Alike" next to applicable locks if only one keyed alike group is wanted.
• If ordering multiple groups (houses) indicate " Keyed Alike House # _ " next to applicable locks.

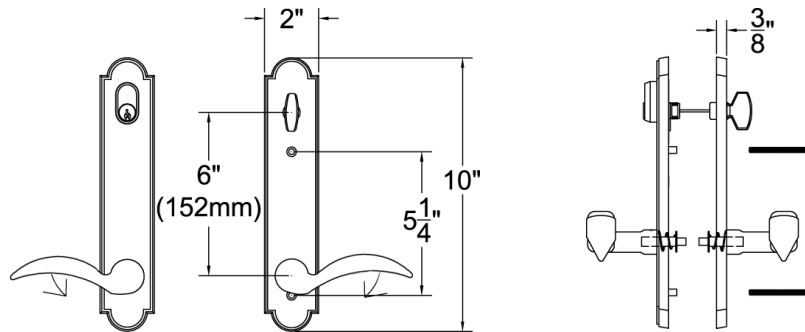
DOOR CONFIGURATION #7 Specification Sheet for Trim and Cylinder Styles

Set includes plates, handles and cylinders (where applicable). Multi Point lock mechanism is not included.

Trillanium® (formerly W&F Manufacturing)

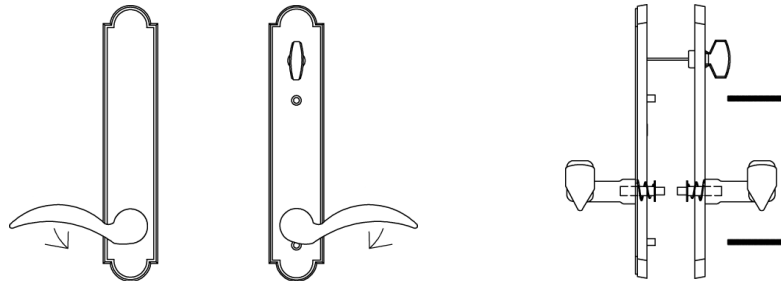
Keyed with American Cylinder (for Active Door, Schlage® Keyway Standard, Weiser® Keyway Optional, Rekeyable)

2" x 10" Plates, Product Codes 1721, 1741, 1761, 17B1



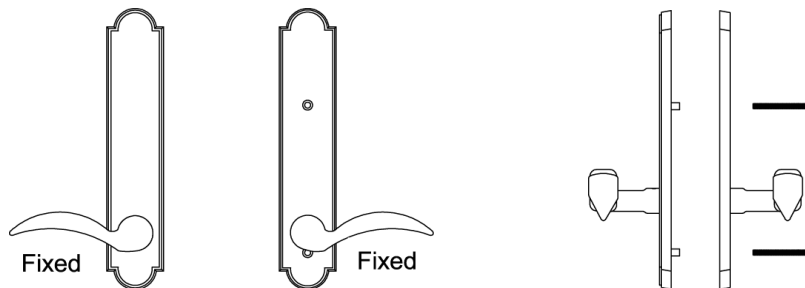
Non-Keyed, American Style T-Turn Inside (Active Door)

2" x 10" Plates, Product Codes 1723, 1743, 1763, 17B3



Dummy Pair (for Non-Active Door)

2" x 10" Plates, Product Codes 1725, 1745, 1765, 17B5



Non-Keyed, Fixed Handles, American Style T-Turn Inside (for Semi-Active Door)

2" x 10" Plates, Product Codes 1726, 1746, 1766, 17B6

