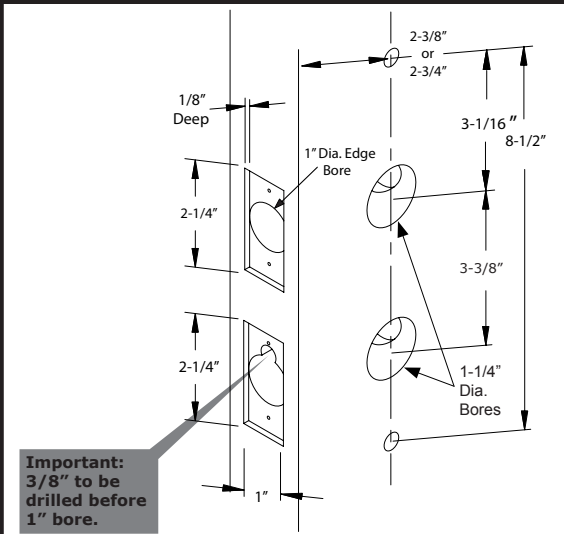


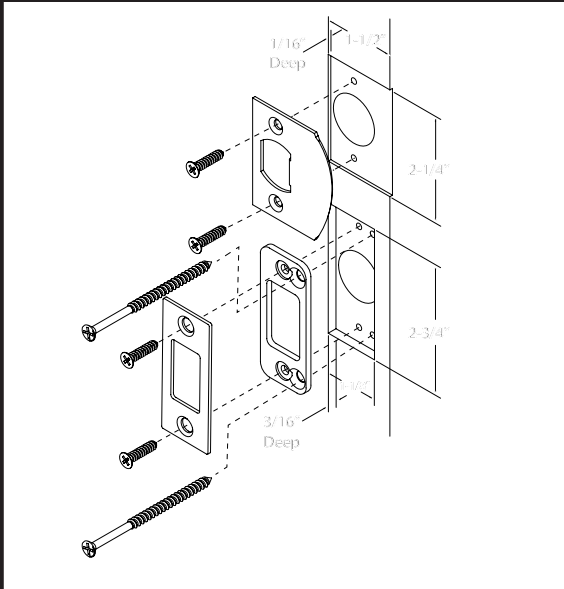
## 1. Door Prep



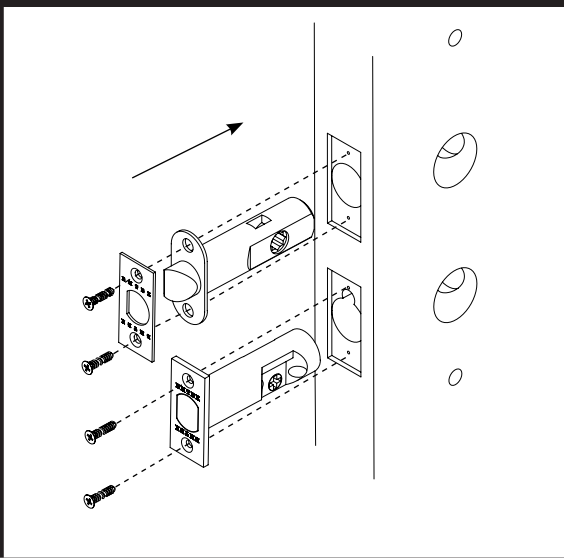
**Important:**  
3/8" to be drilled before 1" bore.

See template for door prep specifications.

## 2. Door Jamb Prep

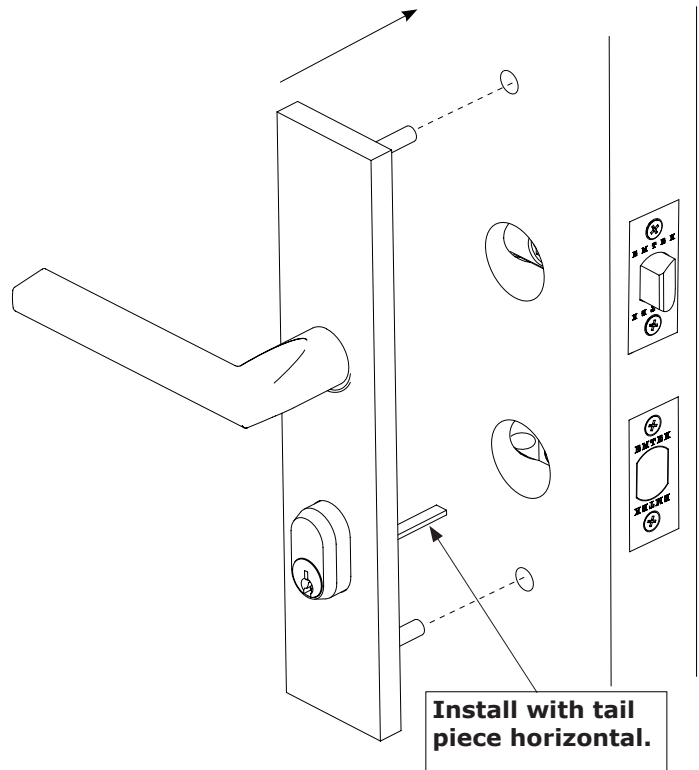


## 3. Install Latch & Deadbolt



## 4. Outside Installation

Step 1. Position the outside trim through the bore hole.



## 5. Inside Installation

Step 2. Fasten Inside Trim using two #8 machine screws (provided).

