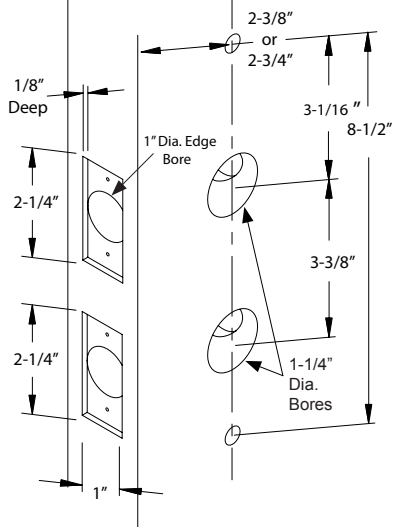
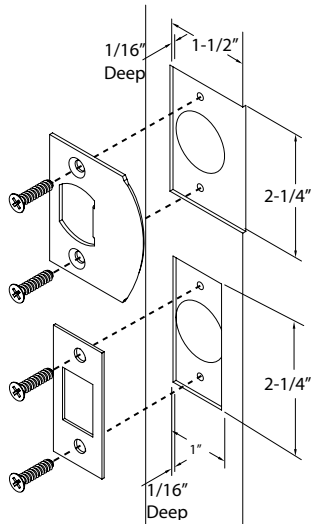


## 1. Door Prep

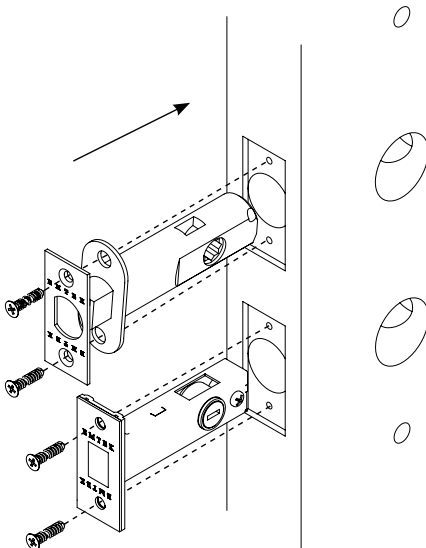


See template for door prep specifications.

## 2. Door Jamb Prep

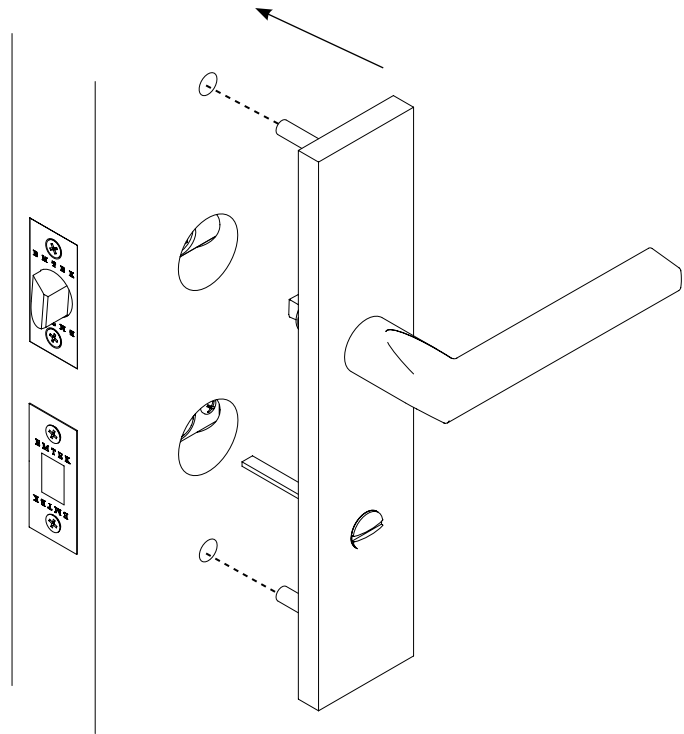


## 3. Install Latch & Dead Bolt



## 4. Outside Installation.

Step 1. Position the outside trim through the bore hole.



## 5. Inside Installation

Step 2. Fasten Inside Trim using two #8 machine screws (provided).

