

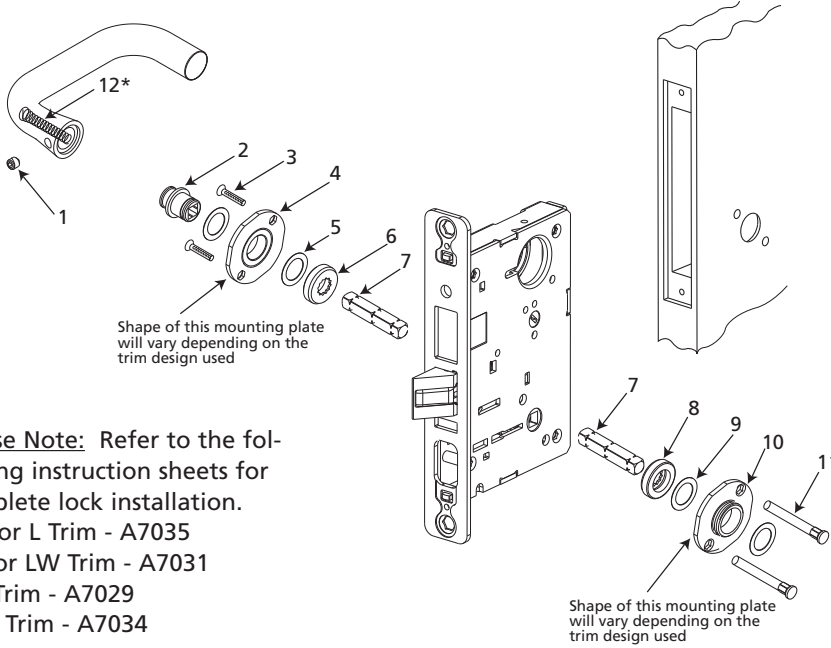
# INSTALLATION INSTRUCTIONS Trim Mounting Kit on 8200 Lever Mortise Locksets

FOR INSTALLATION ASSISTANCE CALL SARGENT AT 1-800-727-5477 • www.sargentlock.com

# SARGENT®

# ASSA ABLOY

## STANDARD 8200 MORTISE LOCKSET SHOWN



**Please Note:** Refer to the following instruction sheets for complete lock installation.

- LN or L Trim - A7035
- LE or LW Trim - A7031
- LS Trim - A7029
- WT Trim - A7034

\* Insert (2) springs, large end first, into spindle hole in levers.

## PARTS LIST DESCRIPTION

A.) Inside Trim Pack consisting of:

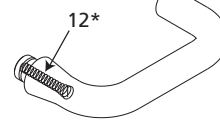
1. Lever set screws (2) [1 long, 1 short]
2. Lever Adapter
3. Machine screws #8-32 x 5/8" (2)
4. Adapter and plate assembly (2)
5. Washers (2)
6. Cap Nut
7. Spindles (2)

NOTE: Items 2, 4, 5 and 6 are pre-assembled when shipped.

B.) Outside Trim Pack consisting of:

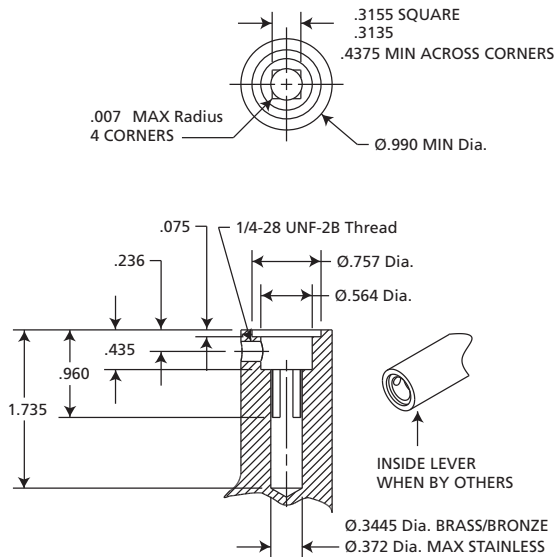
8. Cap Nut
9. Washers (2)
10. Adapter and plate assembly
11. Mounting Posts (2)
12. Spindle Springs (2)

C.) Complete trim pack consisting of:  
Both inside trim pack (A) and outside trim pack (B) together

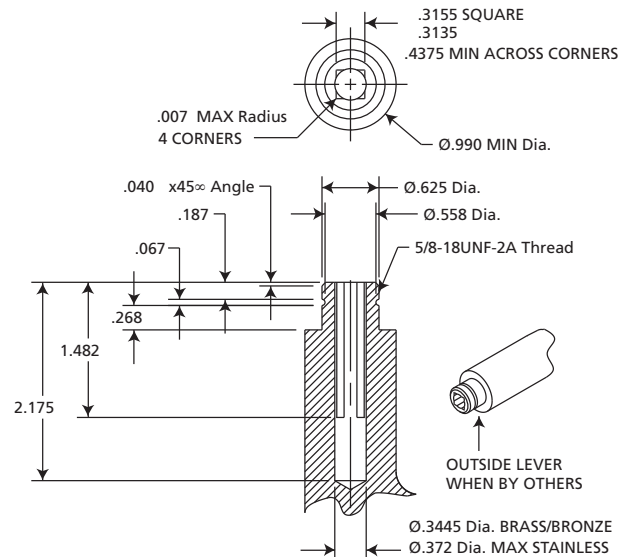


## IF USING NON SARGENT LEVERS THEY MUST BE MANUFACTURED TO MEET THE FOLLOWING SPECIFICATIONS

### Inside Lever Requirements/Specifications:



### Outside Lever Requirements/Specifications:



**IMPORTANT NOTE:** UNLESS OTHERWISE SPECIFIED ALL TOLERANCE TO BE + OR - .005  
LEVER WEIGHT AND CONFIGURATION (center of gravity - cg) MUST NOT APPLY A MAXIMUM LEVER TORQUE THAT EXCEEDS 1.4 in-lbs.

Copyright © 2009, Sargent Manufacturing Company, an ASSA ABLOY Group company. All rights reserved. Reproduction in whole or in part without the express written permission of Sargent Manufacturing Company is prohibited.