

PK.5710

BALDWIN

Installation Instructions ENGLISH

Premium Entrance Set DOUBLE CYLINDER SECTIONAL TRIMS



Remember Baldwin

With the completion of your project, remember that Baldwin quality hardware products are available for all your decorating and remodeling needs. Matching entrance sets for exterior doors, beautiful bath accessories, and a complete selection of cabinet and door-enhancing hardware are all available from your Baldwin retailer.

To request a product brochure or the name of a retailer near you, call 1-800-566-1986.

PK.5710
12711

Congratulations!

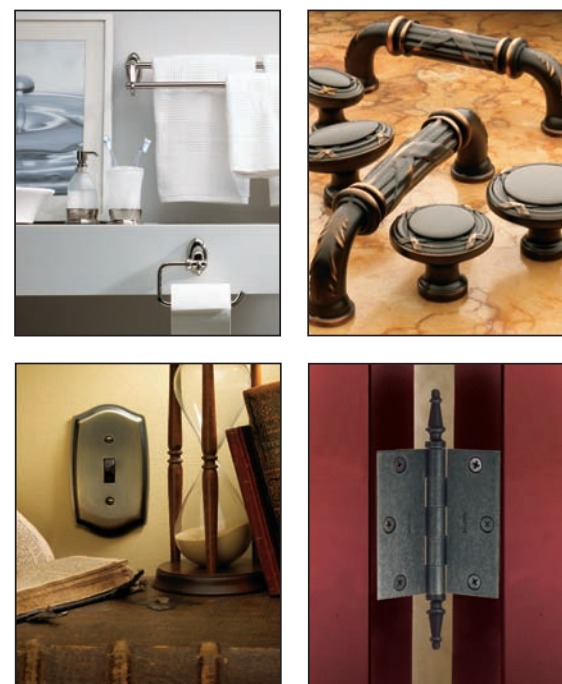
With your purchase of this Premium Entrance Set, you're among a group of discerning individuals who know the intrinsic value of selecting the finest—Baldwin.

Our step-by-step installation instructions will help guide you through your project quickly and easily.

Before you begin your installation, read and understand the installation instructions and marking templates. If you have any questions, please do not hesitate to contact our Baldwin Consumer Help Line at 1-800-566-1986. We're here to help! We thank you for your purchase and wish you the fullest enjoyment of your Baldwin product.

Care and Maintenance

WARNING: Do not attempt to clean your hardware with any type of abrasive cleaners, solvents, or chemicals. These types of cleaning agents may mar the finish. A damp cloth is all that is necessary to wipe clean. Note: Finish Number 102, Oil-Rubbed Bronze, can be cleaned with light machine oil and wiped with a dry cloth.



Baldwin offers a vast array of exceptional solid brass products to elegantly enhance all areas of the home. Each collection features a wide variety of beautiful, high-fashion finishes. From door hardware to bath accessories, Baldwin provides the discriminating decorator with numerous options to accent and complement the home's ambience with distinction, taste, and fine detail.

Consumer Help Line 1-800-566-1986

Hours: 8 a.m. to 8 p.m. E.S.T. - Monday - Friday
10 a.m. to 6 p.m. E.S.T. - Saturday

If you have trouble installing your Baldwin product, feel free to call our toll-free Consumer Help Line.



Browse through the Baldwin Collection of beautiful locks, bath accessories and decorative hardware. Compare styles and finishes. There are thousands of photos and descriptions available to help you coordinate hardware throughout your home. Create your ideal "wish list" then visit your Baldwin Retailer or Dealer. Visit www.baldwinhardware.com today!

BALDWIN

www.baldwinhardware.com

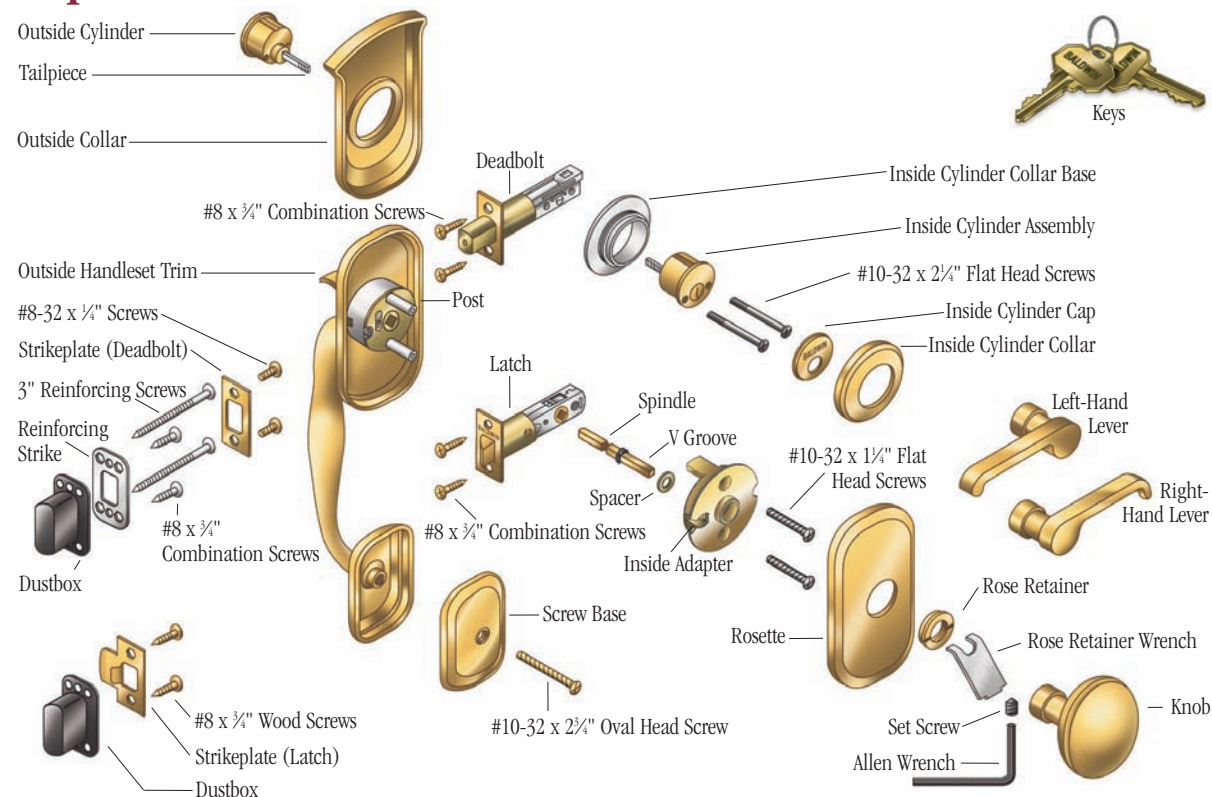
© 2011 Baldwin Hardware Corporation
841 East Wyoming Blvd., Reading, PA 19611

1 Before You Begin

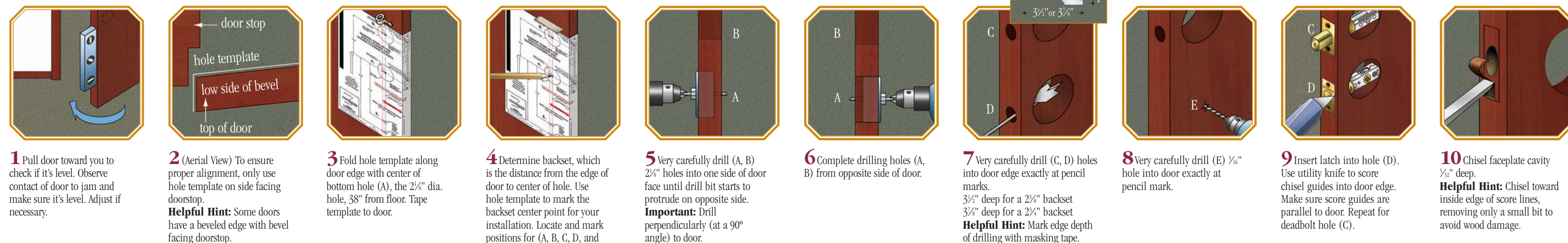
- Remove and discard all materials and screw(s) used for packing your Premium Entrance Set. Verify that you have all parts pictured on exploded view section of instructions.
- Check the thickness of the door. This lockset works on doors 1 1/2" thick only. For doors greater than 1 1/2" up to 2" thick, contact our Consumer Help Line at 1-800-566-1986. The conversion kit part number for this item is 5399.XXX.B; please specify the finish of your product.
- Follow the step-by-step sequence to ensure proper operation of your Baldwin lockset.
- If your door is pre-drilled, see handleset installation step 1. If it is not pre-drilled, see door preparation step 1.
- Important!** If you are removing an old lock and replacing it with this Baldwin lockset, you must install the Baldwin strikeplate provided. Failure to do so could void your warranty. You may need to plug existing holes left by the old strikeplate screws with wood dowels and re-drill the pilot holes for the new strikeplate.
- We recommend spreading cardboard over floor to prevent scratching parts and marring floor.
- Always wear protective eyewear.

Note: The illustrations in these instructions depict the outside handle being installed on the right of the door. For installation of the outside handle on the left of the door, proceed as if all illustrations were reversed.

Exploded View

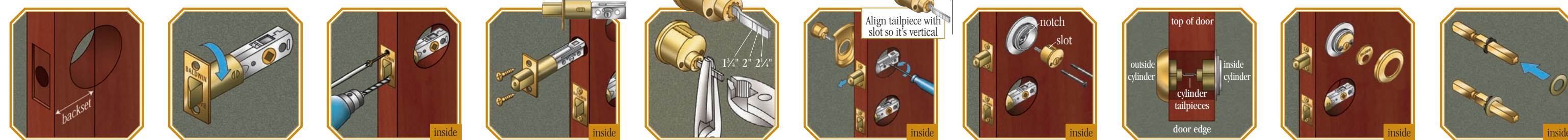


2 Door Preparation (If Needed)



- Pull door toward you to check if it's level. Observe contact of door to jamb and make sure it's level. Adjust if necessary.
- (Aerial View)** To ensure proper alignment, only use hole template on side facing doorstop. **Helpful Hint:** Some doors have a beveled edge with bevel facing doorstop.
- Fold hole template along door edge with center of bottom hole (A), the 2 1/2" dia. hole, 38" from floor. Tape template to door.
- Determine backset, which is the distance from the edge of door to center of hole. Use hole template to mark the backset center point for your installation. Locate and mark positions for (A, B, C, D, and E) on template. The most common backset is 2 1/2".
- Very carefully drill (A, B) 2 1/2" holes into one side of door face until drill bit starts to protrude on opposite side. **Important:** Drill perpendicularly (at a 90° angle) to door.
- Complete drilling holes (A, B) from opposite side of door.
- Very carefully drill (C, D) holes into door edge exactly at pencil marks. 3/8" deep for a 2 1/2" backset. 3/4" deep for a 2 3/4" backset. **Helpful Hint:** Mark edge depth of drilling with masking tape.
- Very carefully drill (E) 1/2" hole into door exactly at pencil mark.
- Insert latch into hole (D). Use utility knife to score chisel guides into door edge. Make sure score guides are parallel to door. Repeat for deadbolt hole (C).
- Chisel faceplate cavity 1/2" deep. **Helpful Hint:** Chisel toward inside edge of score lines, removing only a small bit to avoid wood damage.

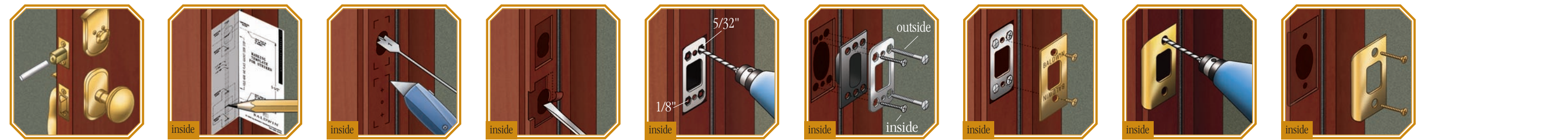
3 Handleset Installation



- Determine your backset, which is the distance from the edge of door to center of hole. Your lockset is shipped with a 2 1/2" backset (most common). Adjust for a 2 3/4" backset door only.
- For a 2 1/2" backset, grasp body and twist faceplate 180° until it stops. Angled side of bolt should face outside. Follow same procedure for deadbolt. **Note:** See deadbolt orientation during installation step 4.
- Insert latch with angled side of bolt facing outside. Drill 1/8" pilot holes. Secure with #8 x 1/2" combination screws so latch is flush with door. Repeat for deadbolt. **Helpful Hint:** When installing wood screws it is recommended to put beeswax or soap on screw threads to improve installation.
- Note orientation of deadbolt. Insert deadbolt. Drill 1/8" pilot holes. Secure with #8 x 1/2" combination screws so latch is flush with door.
- For both cylinders, carefully break off tailpiece at required mark for your door thickness.
- Extend deadbolt with flat head screwdriver. Keeping tailpiece vertical and toward the right side of hole, insert outside cylinder through outside cylinder collar, then into deadbolt. Hold in place. **Note:** Do not insert key.
- Keeping tailpiece vertical and curved toward right side of hole, insert inside cylinder through inside cylinder collar base, aligning slot on top of inside cylinder with notch on inside cylinder collar base, into deadbolt. Secure with two #10-32 x 2 1/2" flat head screws.
- (Aerial view)** Align tailpiece with slot. Keep tailpiece vertical and curved toward right side of hole. **Note:** Cylinder tailpieces must meet each other as shown.
- Align inside cylinder cap over inside cylinder. Screw on inside cylinder collar.
- Measure the thickness of your door. If door is less than 1 1/2" thick, do not use the spacer provided. If your door measures 1 1/2", slide the spacer onto spindle.
- Attach outside handleset trim by inserting the #10-32 x 2 1/2" oval head screw on inside of door through screw base and the lower hole (E). Leave screw loose for adjustment. **Note:** Go to door preparation if you do not have a lower hole (E).
- From inside of door, insert short end of spindle through the latch with the V groove angled down and toward hinges. Position outside handleset trim so spindle slides into square hole in thumbpiece carriage. **Note:** Make certain spindle is completely inserted up to stops.
- Align spindle, latch, and outside handle. Insert the inside adapter onto the posts of the outside handleset trim. Secure with two #10-32 x 1 1/2" flat head screws. Tighten all three screws, including screw for bottom of handle.
- Position rosette onto inside adapter. Using rose retainer wrench, thread the rose retainer onto the threaded portion of the adapter.
- Slide knob onto spindle and tighten set screw with Allen wrench. Knob/lever is secured when set screw enters V groove in spindle.

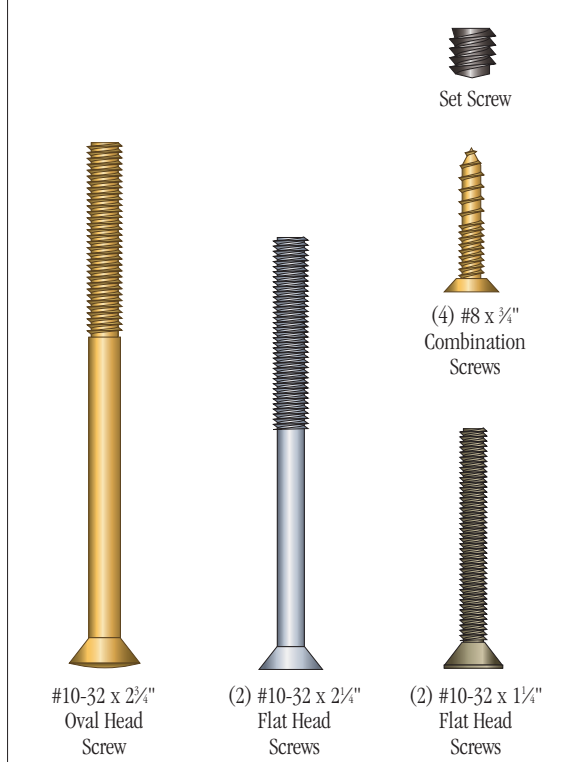
4 Strikeplate Installation

IMPORTANT! You must install Baldwin strikeplate or your warranty is void.

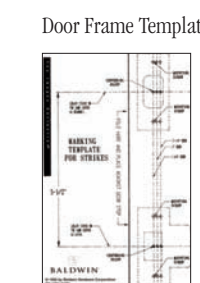
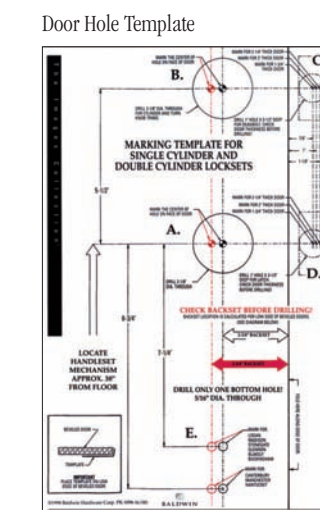
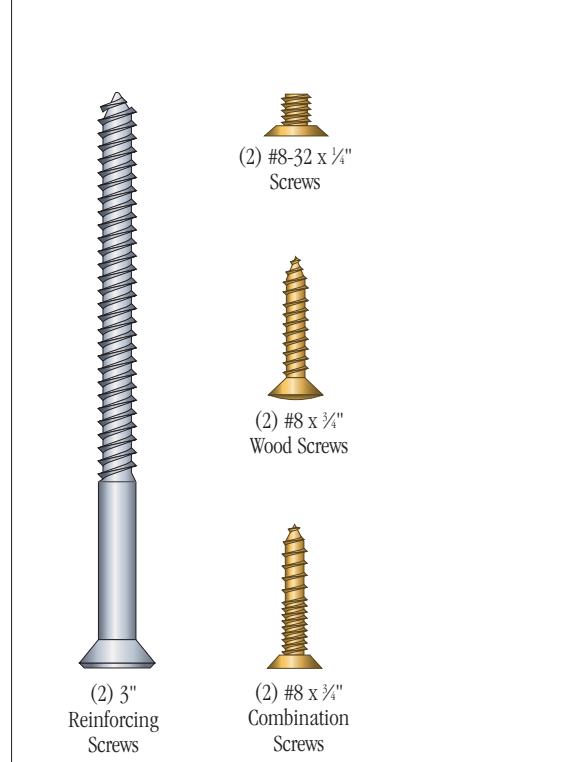


- If weather stripping is not installed, you must install weather stripping prior to strikeplate installation. Mark center of deadbolt with chalk, grease pencil, or lipstick. Shut door and lock deadbolt to mark center point on doorframe.
- On doorframe, align strike hole template with center point. Mark holes for center of latch bolt and outer corners of both strikes with pencil.
- For Deadbolt and Latch Strikeplates:** Mark drill points 1/2" above and below center points. Bore two 1" holes 1 1/2" deep for both dustboxes. Score chisel guide into door frame with utility knife.
- For Deadbolt and Latch Strikeplates:** Chisel out holes for dustboxes. Chisel out cavity so deadbolt strikeplate and latch strikeplate fit flush with doorframe. For deadbolt strikeplate, cavity is 7/8" deep. For latch strikeplate, cavity is 1/2" deep.
- For Deadbolt Strikeplate:** Using reinforcing strikeplate as a template, drill two 5/8" pilot holes for 3" long screws (outside holes) and two 1/2" pilot holes for #8 x 1/2" screws (inside holes).
- For Deadbolt Strikeplate:** Insert dustbox into hole, add reinforcing strike, and secure with 3" reinforcing screws (outside holes) and #8 x 1/2" combination screws (inside holes). **Helpful Hint:** When installing wood screws it is recommended to put beeswax or soap on screw threads to improve installation.
- For Deadbolt Strikeplate:** Add strikeplate and secure with #8-32 x 1 1/2" screws.
- For Latch Strikeplate:** Using latch strikeplate as a template, drill two 5/8" pilot holes for the #8 x 1/2" screws.
- For Latch Strikeplate:** Insert dustbox into hole, add strikeplate, and secure by inserting #8 x 1/2" wood screws into pilot holes.

Handleset Installation Fasteners



Strikeplate Installation Fasteners



Required Tools



Helpful Tools



Troubleshooting Guide

If parts are missing do not return product. Please call Baldwin's Consumer Help Line at 1-800-566-1986 and we will quickly send the parts to you.

Problem Can't extend deadbolt unless key is in cylinder. Can't remove key with deadbolt in extended position.	Solution Cylinder is out of time. Remove both cylinders. Extend deadbolt with screwdriver and re-install hardware. Refer to handleset installation step 6.
Screws are all tight but the hardware is not firmly attached to the door.	Check door thickness. Door must be 1 1/2" thick. Hardware will not install on doors less than 1 1/2" thick.
Inside knob or lever spins freely and does not retract latch bolt. Deadbolt retracts when thumbpiece on outside is pushed.	Spindle is installed backwards. Short side of spindle must face exterior. Long side of the spindle is installed toward inside of house. Refer to handleset installation step 12.
Knob or lever keeps coming off the spindle.	Ensure that set screw on knob or lever is installed in V groove on spindle and securely tightened with Allen wrench provided. Refer to handleset installation step 14.
Door is difficult to latch or will not stay closed unless deadbolt is extended.	Strikeplate is not aligning with latchbolt. Remove, plug holes with wooden dowels and glue. Adjust and re-install. Condition can also be caused by weather stripping being installed after hardware is installed. Re-install strike as described at left. Refer to strikeplate installation step 1.
Can't extend deadbolt from inside or outside with key when door is closed.	Open door and try to extend deadbolt. If deadbolt extends easily with door open, deadbolt strike is not aligned with deadbolt. Remove strike and relocate as necessary. Refer to strikeplate installation step 1.
Door is already prepared with round hole for latch.	Replace door or return lockset to place of purchase. Baldwin does not manufacture a round (drive-in) latch at this time.
Deadbolt works easily on inside but is difficult to turn and has grinding sound when turned with key on outside.	Improve alignment of outside and inside cylinder or improper door thickness. Use a block of wood to tap cylinder collar so it will not move more than 1/4" in any direction. If this does not correct problem, check deadbolt hole preparation for accuracy. Ensure that door is 1 1/2" thick. Refer to handleset installation step 6.