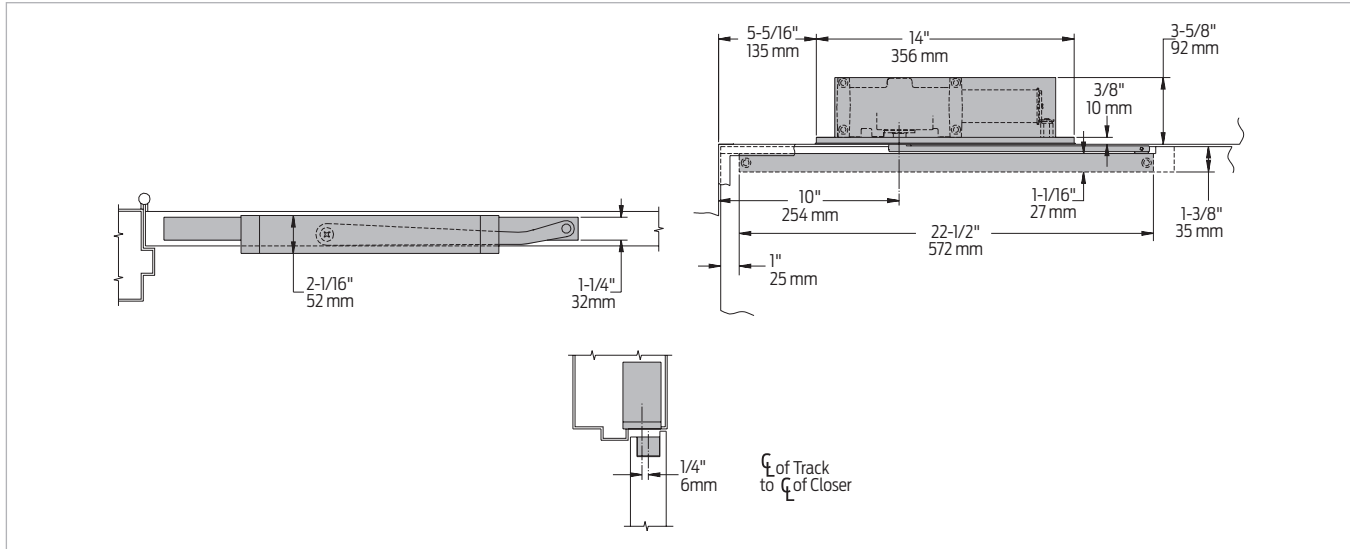




## Mounting details

### Concealed mounting



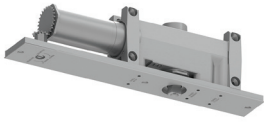
Butt hinges	Should not exceed 5" (127 mm) in width
Auxiliary stop	<ul style="list-style-type: none"> <li>Recommended where a door cannot swing 180°</li> <li>Optional track bumper assembly assists back check in cushioning the opening swing of the door (not intended to replace an auxiliary stop)</li> </ul>
Top rail	<ul style="list-style-type: none"> <li>1 3/8" (35 mm) mortise required</li> <li>With Fire Shield, 1 13/32" (36 mm) mortise required</li> <li>5/16" (8 mm) cutout required at top of the door, stop face only</li> </ul>
Door thickness	1 3/4" (44 mm) minimum
Hollow metal frame	Consult factory for installation instructions
Maximum opening	<ul style="list-style-type: none"> <li>Butt hinge template allows 180°, trim permitting</li> <li>Limited to 110° when optional bumper is installed</li> <li>Adjustable hold open points from 85° to 110°, with Hold Open Track (H)</li> <li>Offset pivot template allows 110°, trim permitting</li> <li>Limited to 95° when optional bumper is installed</li> <li>Adjustable hold open points from 75° to 95°, with Hold Open Track (H)</li> <li>Center pivot template allows 120°, trim permitting</li> <li>Limited to 95° when optional bumper is installed</li> <li>Adjustable hold open points from 75° to 95°, with Hold Open Track (H)</li> </ul>

Notes:

- For interior or exterior doors
- Single acting cylinder in head frame
- Concealed arm and track in door top rail

## Accessories

### Cylinders



**2011(3)(4)(5)(6)-3071  
Cast iron cylinder assembly  
with mounting plate (CYL)**

- Handed
- With mounting plate
- Standard

### Arms



**2010-3077T  
Standard Arm (STDTRKARM)**

- Handed
- Track roller not included with arm

### Tracks



**2010-3038  
Standard Track (STDTRK)**

- Non-handed
- Non hold open
- Will accept hold open clip and/or bumper assembly
- Standard



**2010-3038B  
Track with Bumper (BUMP)**

- Non-handed
- Non hold open
- Will accept hold open clip
- Optional



**2010-3038H  
Hold Open Track (H)**

- Non-handed
- Will accept bumper assembly
- Optional



**2010-3038HB  
Hold Open Track with  
Bumper (HBMP)**

- Non-handed
- Optional

### Installation accessories



**2010-420  
Fire Shield**

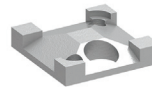
- 22 gauge steel liner mounts in the track mortise of the door's top rail for 20 minute labeled wood doors



**2010-169  
Track Bumper**

- Mounts in track to assist back check
- Limits maximum opening
- Consists of bumper, bumper post and mounting screw

Note: Track bumper does not replace auxiliary stop.



**2010-3054  
Hold Open Clip**

- Mounts in track to provide hold open function
- Hold open point controlled by clip location
- Requires 2010-3034H



**2010-3034  
Track Roller**

- Quiet, low friction roller assembly
- Shoulder dimension "X" = 1/16" (2 mm)



**2010-3034H  
Hold Open Track Roller**

- Quiet, low friction roller assembly
- Shoulder dimension "X" = 1/16" (2 mm)

## Ordering information

### How-to-order 2010 Series closers

**1. Select cylinder size**

- 2011
- 2013
- 2014
- 2015
- 2016

**2. Specify hand**

- Right Hand (RH)
- Left Hand (LH)

**3. Select finish**

- Standard powder coat \_\_\_\_\_  
Aluminum (689), Dark Bronze (695), Statuary Bronze (690), Light Bronze (691), Black (693), or Brass (696)

**Closer will be shipped with:**

- Standard cylinder with finish plate
- Standard arm
- Standard track
- Wood and machine screws  
(unless options listed below are selected)

### Closer options

**Track**

- Track with Bumper (BUMP)
- Hold Open Track (H)
- Hold Open Track with Bumper (HBMP)

**Finish**

- Custom powder coat (RAL) \_\_\_\_\_
- Plated finish \_\_\_\_\_
- SRI primer (use with powder coat finishes only)

**Screw pack**

- Torx Machine Screws (TORX)

**Installation accessories**

- Fire Shield, 2010-420

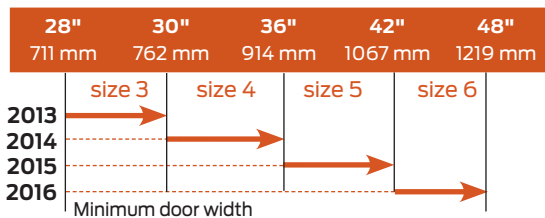
**Special template**

- ST- \_\_\_\_\_

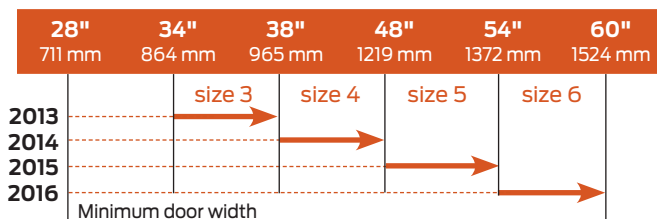
### Table of sizes

- Select closer based on width of door
- 2010 Series cylinders available in size 1, 3, 4, 5 or 6
- Closing power of all 2010 Series closers may be increased 15%
- Specify next higher size closer where strong drafts exist

**Exterior (and vestibule) door width**



**Interior door width**




→ Indicates recommended range of door width for closer size.

**Reduced opening force 2010 Series closers**

**CAUTION!** Any manual door closer, including those certified by BHMA to conform to ANSI Standard A156.4, that is selected, installed and adjusted based on ADA or other reduced opening force requirements may not provide sufficient power to reliably close and latch a door.

Refer to Automatic Operators catalog for information on systems that meet reduced opening force requirements without effecting closing power.

Door width	36"	42"	48"
 8.5* lbs.	2014	2014	2015
5.0* lbs.	2011	2011	2013

\* Maximum opening force.