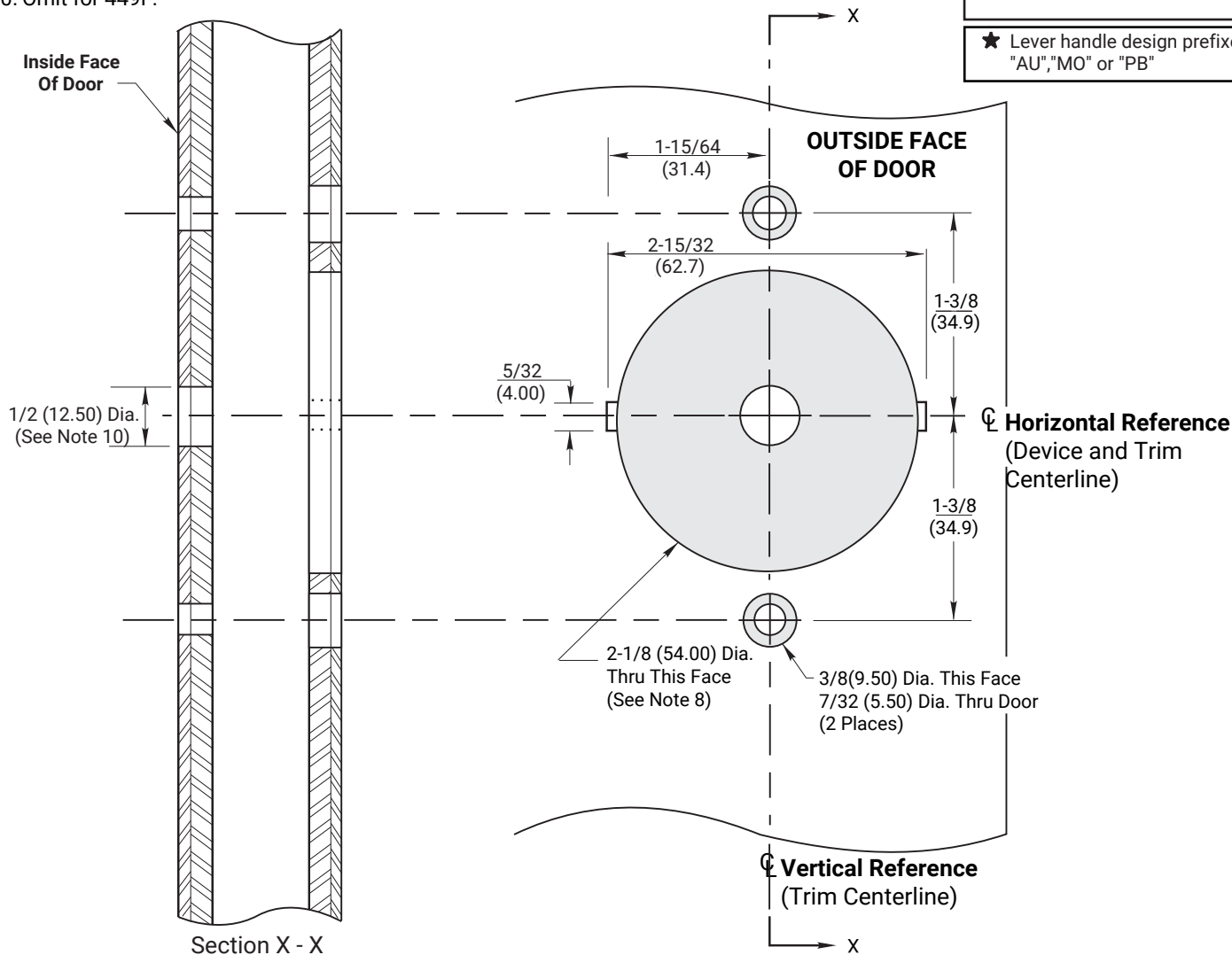
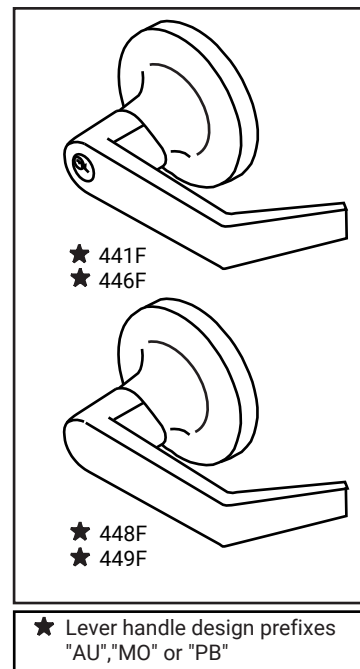


Notes:

1. This template is an addition to the device template. Locate centerlines using horizontal and vertical references on device template.
2. Do not scale drawing
3. Dimensions are in inches (mm).
4. LHR door shown. Preparation is typical for both door hands.
5. For door reinforcement see template 7400-0000.
6. Prepare mounting holes when installing the trim.
7. Provide adequate internal support to prevent door deformation after trim is bolted to the door.
8. ANSI/BHMA A156.115, which cover hardware preparations for steel doors and steel frames, and A156.115-W, which cover hardware preparations for wood doors with wood or steel frames.
9. Dimensions given about a centerline are symmetrical.
10. Omit for 449F.



RESPONSIBILITY
DOOR AND FRAME MANUFACTURERS ARE RESPONSIBLE FOR PROVIDING ADEQUATE CONSTRUCTION OR REINFORCEMENTS FOR PROPER INSTALLATION OF HARDWARE SHOWN. ALL ARCHITECTURAL BUILDERS HARDWARE MUST BE INSTALLED ON PROPERLY REINFORCED DOORS AND FRAMES, REGARDLESS OF TYPE, MATERIAL, OR METHOD OF CONSTRUCTION.

441F, 446F, 448F and 449F Trim
With With 2100(F), 6100(F), 6170(F) or 1800(F)
Series
Rim and Vertical Rod Exit Devices
Metal Door Preparation
1-855-557-5078 Ext. 2
www.accentra-assaabloy.com

ACCENTRA
ASSA ABLOY

Experience a safer
and more open world

Copyright ©2024, ASSA ABLOY Access and Egress Hardware Group, Inc. All rights reserved. Reproduction in whole or in part without the express written permission of ASSA ABLOY Access and Egress Hardware Group, Inc. is prohibited.

SUPERSEDES		DO NOT SCALE DRAWING	
TEMPLATE NUMBER	SHEET	DATE	
7400-0441	1 of 1	06-24	