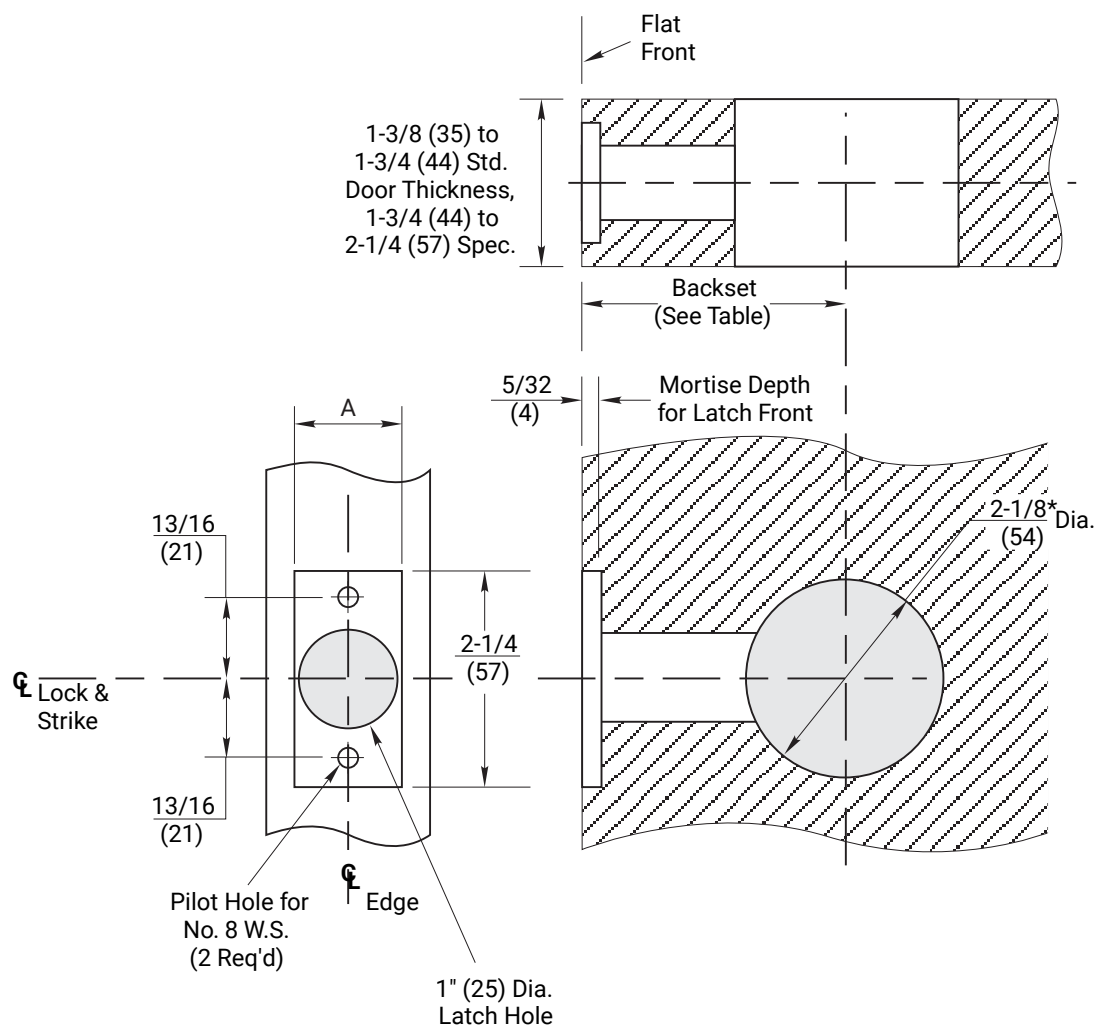


**NOTES:**

1. When 4-7/8" (123.8) Strike is specified, refer to No. 497 Strike, Template No. 7102-0003.
2. When T-Strike is specified, refer to No. 371 Strike, Template 7102-0005.
3. Dimensions marked with \* have tolerances of +1/32, -0.
4. All dimensions given in inches (mm).

RL SERIES Locks		
Backset	Latch No.	Front Dim.
2-3/8 (60)	RLP38	1" (25)
2-3/4 (70)	RLP34	1-1/8" (29)

**DO NOT SCALE**



**RESPONSIBILITY**  
 DOOR AND FRAME MANUFACTURERS ARE RESPONSIBLE FOR PROVIDING ADEQUATE CONSTRUCTION OR REINFORCEMENTS FOR PROPER INSTALLATION OF HARDWARE SHOWN. ALL ARCHITECTURAL BUILDERS HARDWARE MUST BE INSTALLED ON PROPERLY REINFORCED DOORS AND FRAMES, REGARDLESS OF TYPE, MATERIAL, OR METHOD OF CONSTRUCTION.

**RL Series Tubular Locks**  
 1" and 1-1/8" Wide Flat Front Wood Door Preparation (See ANSI/BHMA A156.115)  
 2-3/4" and 2-3/8" Backset  
 1-855-557-5078 Ext. 2  
 www.accentra-assaabloy.com

**ACCENTRA**  
**ASSA ABLOY**

Experience a safer  
 and more open world

Copyright © 2022, 2023, 2024, ASSA ABLOY Access and Egress Hardware Group, Inc. All rights reserved. Reproduction in whole or in part without the express written permission of ASSA ABLOY Access and Egress Hardware Group, Inc. is prohibited.

SUPERSEDES	01/24	DO NOT SCALE DRAWING	
TEMPLATE NUMBER	7150-0101	SHEET	DATE
		1 of 1	05/24