

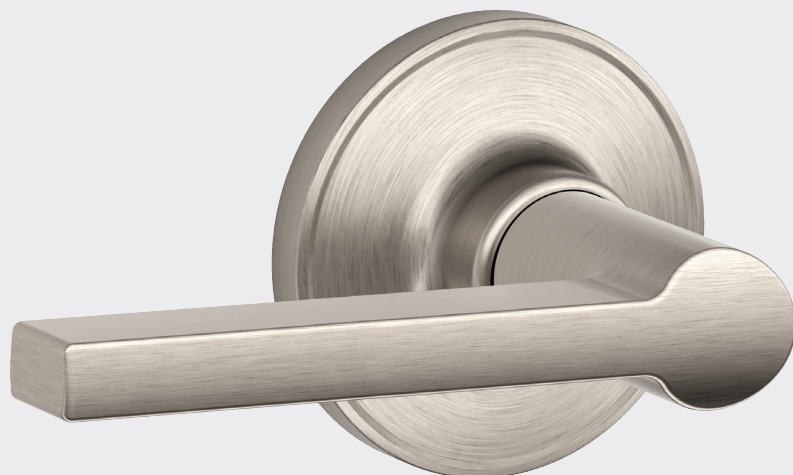


Solstice lever

J-Series, Grade 3

Features

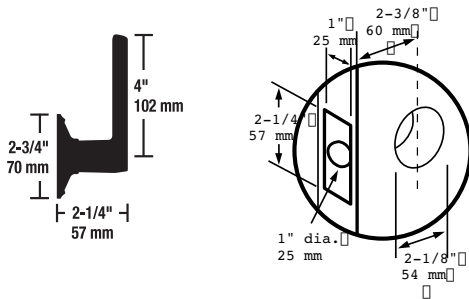
- ANSI/BHMA Grade 3 security
- Limited lifetime mechanical warranty
- 5 year finish warranty
- Largest levers in their class
- Easy to install
- May be keyed to Schlage C Keyway
- Designs suite with most popular designs from Schlage®



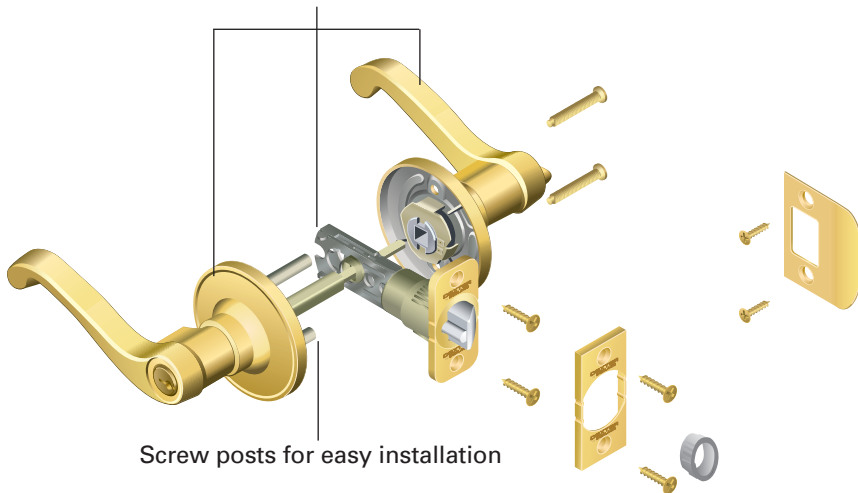
Satin Nickel Lever

J-Series lever specifications

Certification	ANSI/BHMA Grade 3 deadbolt; UL Listed for 3-hour fire door available
Finish Warranty	5 year finish warranty
Mechanical Warranty	Limited lifetime mechanical warranty
Latch Throw	1/2"
Cylinder	5-pin tumbler, C Keyway
Door Thickness	1-3/8" to 1-3/4"
Cross Bore	2-1/8"
Edge Bore	1"
Latch/Backset	Drive-in latch fits 2-3/8" or 2-3/4" backset
Latch Faceplate Size	1" x 2-1/4"
Latch Faceplate Options	J10 and 40 functions – Dual option includes round faceplate and drive-in J54 function – Triple Option™ includes square and round faceplates and drive-in
Keys	2 per lock
Strikes	1-5/8" x 2-1/4" full lip
Functions	Keyed entry, privacy, passage, dummy



Three piece assembly for easy installation



Screw posts for easy installation

Visit Schlage.com to learn more.

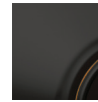
Finish Options



619
Satin
Nickel

625
Bright
Chrome

626
Satin
Chrome



716
Aged
Bronze

About Allegion™

Allegion (NYSE: ALLE) creates peace of mind by pioneering safety and security. As a \$2 billion provider of security solutions for homes and businesses, Allegion employs more than 8,000 people and sells products in more than 120 countries across the world. Allegion comprises more than 25 global brands, including strategic brands CISA®, Interflex®, LCN®, Schlage® and Von Duprin®. For more, visit www.allegion.com

aptiQ ■ LCN ■ **SCHLAGE** ■ STEELCRAFT ■ VON DUPRIN



© 2014 Allegion
MR-2072-SOL, Rev. 12/14
allegion.com