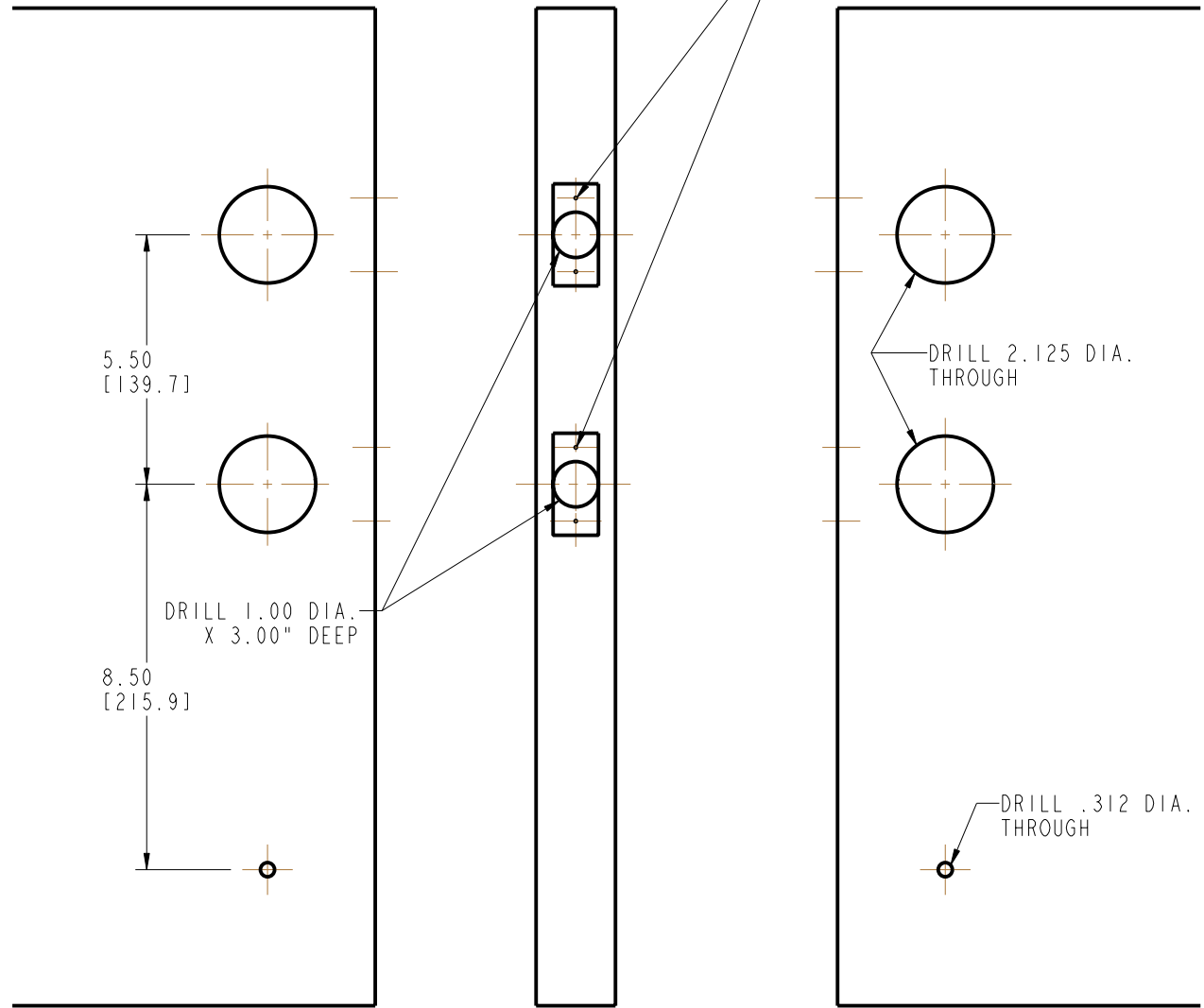


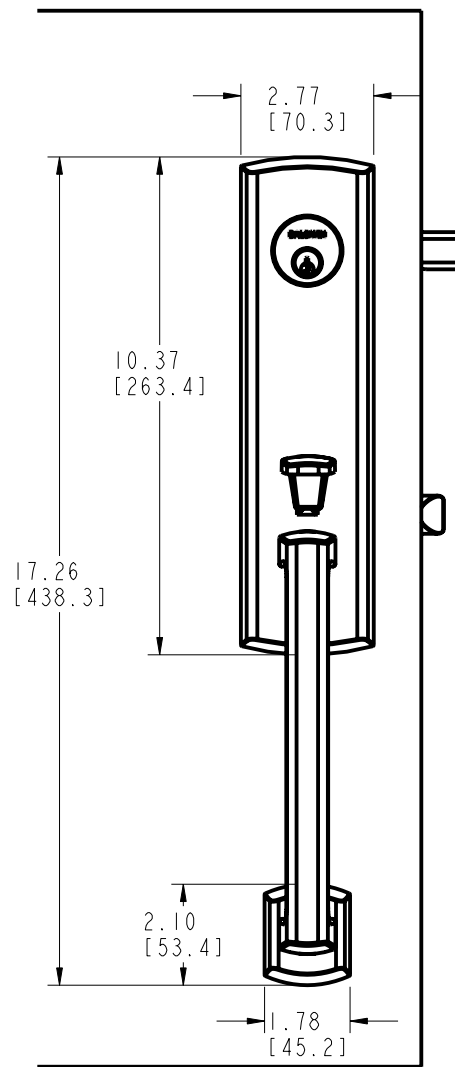
DOOR DETAIL



OUTSIDE

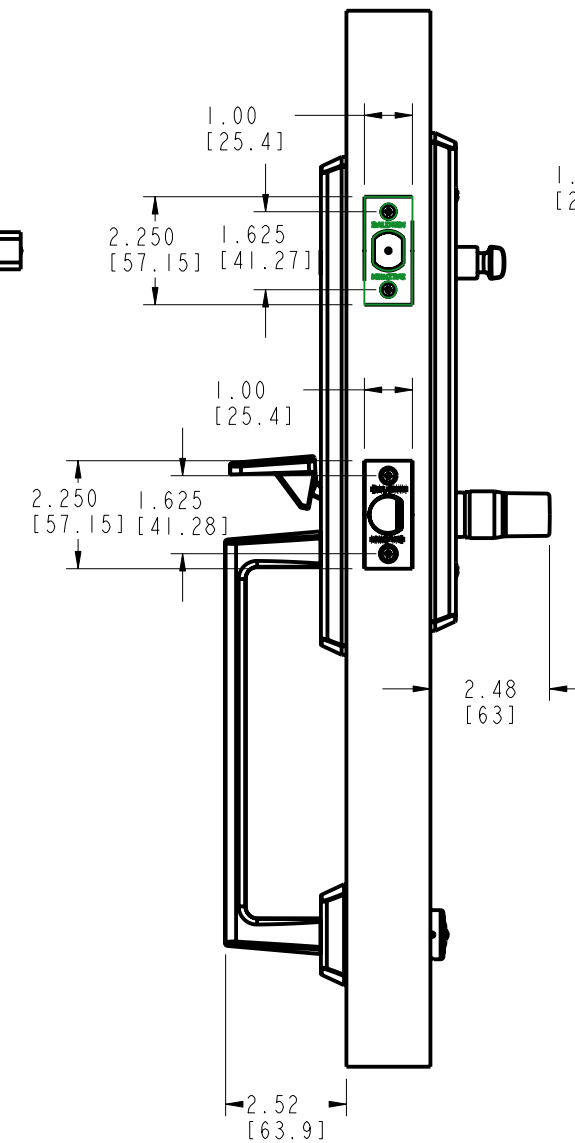
INSIDE

OUTSIDE

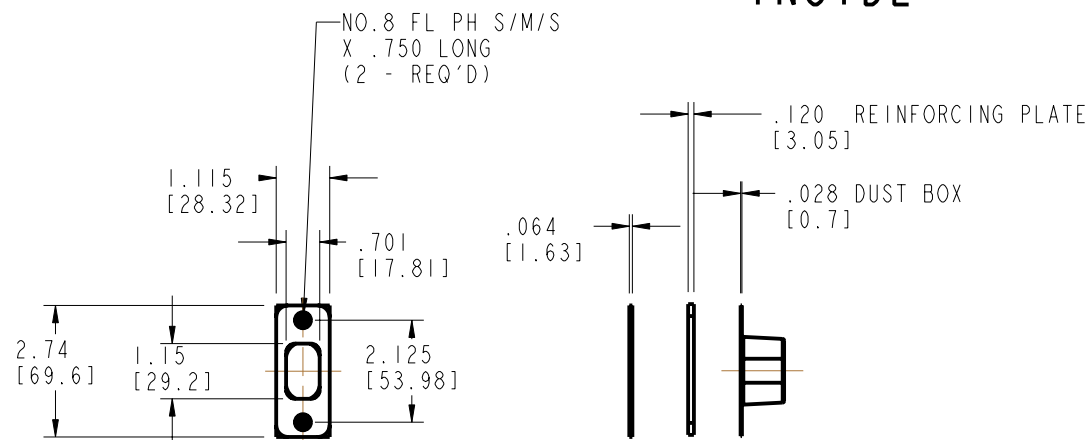
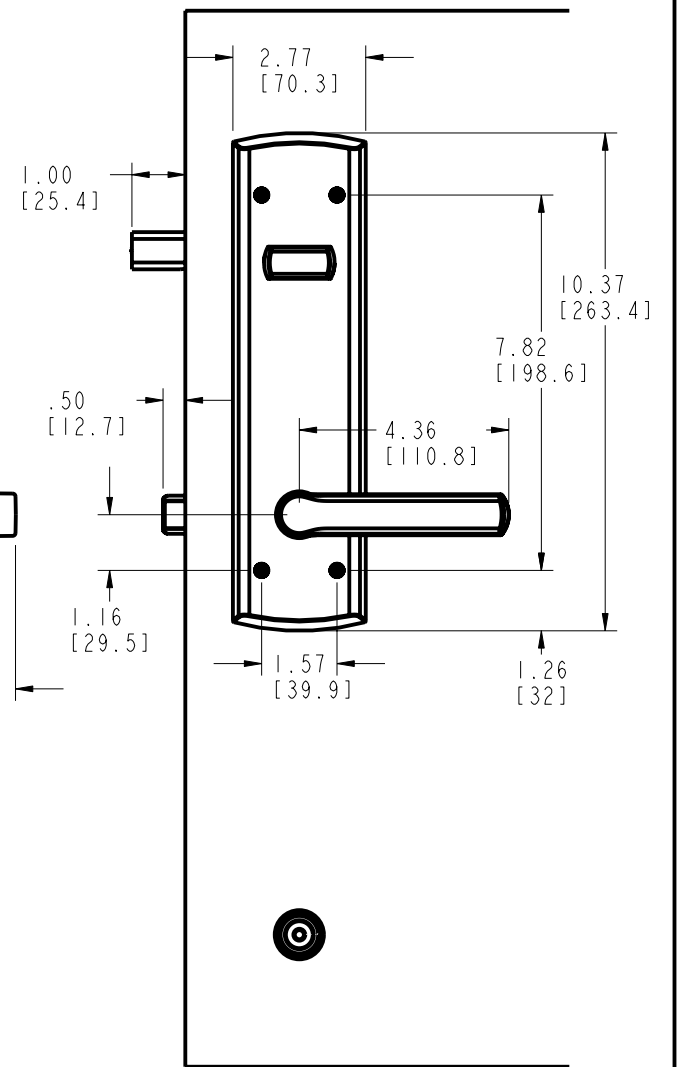


TRIM DETAIL

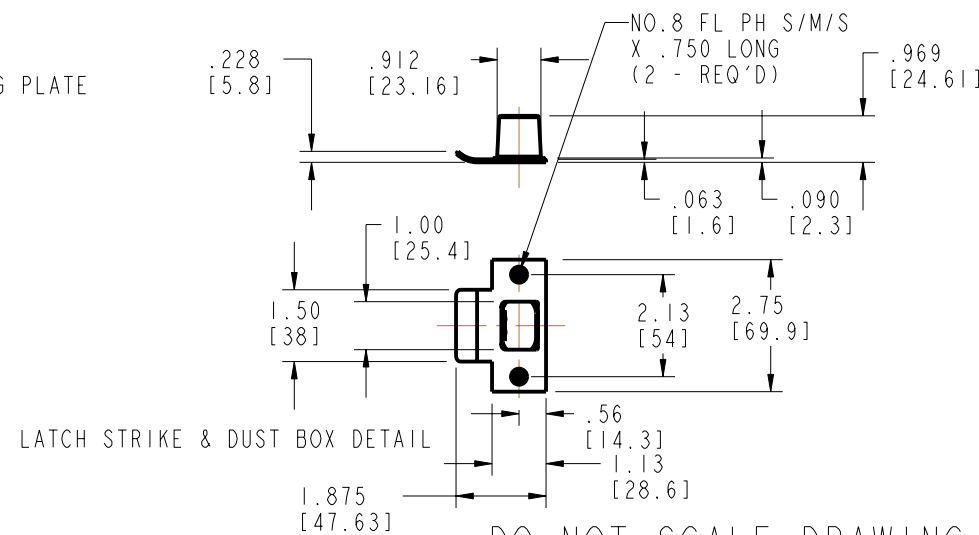
RIGHT HAND ILLUSTRATED



INSIDE



DEADBOLT STRIKE, REINFORCEMENT PLATE & DUST BOX DETAIL



LATCH STRIKE & DUST BOX DETAIL

DO NOT SCALE DRAWING

BALDWIN **BLACK & DECKER**
 HARDWARE CORPORATION COMPANY
 READING, PENNSYLVANIA

85387 SOHO TRIM

TEMPLATE: NO VARIATIONS

TEMPLATE NO.

©2006 BY BALDWIN HARDWARE CORPORATION

IM387

EFFECTIVE: 05/22/08