

# Olympic FLG Series



### FEATURES & OPTIONS

#### Door Preparation

Cross Bore: 2-1/8", Edge: 1"

#### Latch Backset

Exterior: 2-3/8" deadlatch standard

Interior: 2-3/8" plainlatch standard

UL Latch available for 20mins fire rating (other options available)

#### Faceplate

1" x 2-1/4" round corner standard (other options available)

#### Bolt

1/2" throw

#### Door Thickness

Fit 1-3/8" to 1-3/4" standard

(extension kit available for 1-3/4" to 2-1/4" door)

#### Cylinder

5-pin KW keyway solid brass cylinder standard

5-pin SC "C" keyway available

#### Strike Plate

2-1/4" x 1-3/4" round corner full lip standard (other options available)

#### Handing

Non-Handed

#### Material

Zinc die-cast lever

#### ANSI/BHMA

A 156.2 Grade 3

### FINISHES

(other finishes available upon request with lead-time)

- US3 – 605 – Polished Brass
- US5 – 609 – Antique Brass
- US15 – 619 – Satin Nickel
- US26 – 625 – Polished Chrome
- US26D – 626 – Satin Chrome
- US19 – 622 – Matte Black

### FUNCTIONS

#### Entry – F109 (FLG00)

Both lever locked or unlocked by key outside or turn-piece inside.

#### Privacy – F76 (FLG01)

Both levers locked or unlocked by turn-piece inside. Outside lever unlocked by coin or screwdriver.

#### Passage – F75 (FLG03)

Both levers always free.

#### Half Dummy (FLG04)

For doors where only pull is required.

#### Entry w/ ADA – F109 (FLG07C)

Outside lever locked or unlocked by key. Inside lever locked by push-button and always free with quick release function. No unlocking required for panic exit.

#### Privacy w/ ADA – F76 (FLG08C)

Outside lever lock or unlocked by coin or screwdriver. Inside lever locked by push-button and always free with quick release function. No unlocking required for panic exit.

#### Storeroom – F86 (FLG05)

Outside lever always fixed and unlocked by key only. Inside lever always free.

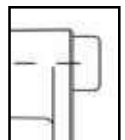
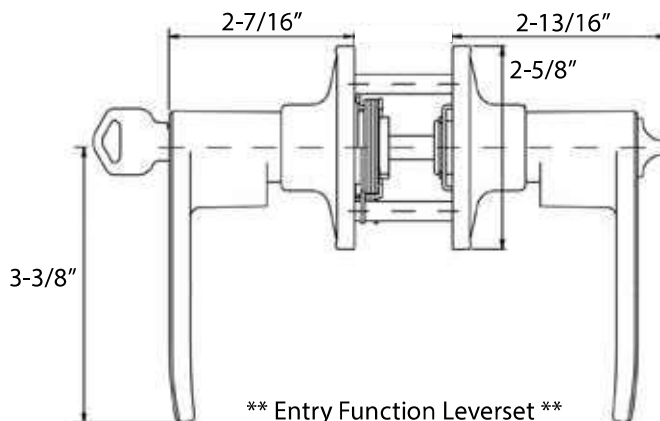
### WARRANTY

- Lifetime mechanical warranty
- Five years finish warranty

### CODE COMPLIANCE

#### Meets ADA Requirements

- Entry w/ ADA
- Privacy w/ ADA



Push Button

\*\* Entry Function Leverset \*\*