

Top Jamb Applications

351 Series Powerglide®

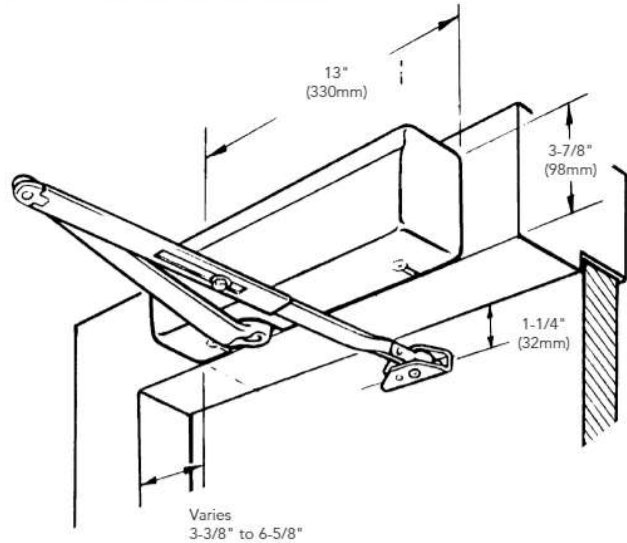
SARGENT
ASSA ABLOY



O ARM SHOWN

Top Jamb applications - The 351 closer is mounted on the frame face above the door. The foot is mounted on the push side of door. This application is for use on exterior doors opening out to protect the closer from the weather.

351-0 Top Jamb Mounting Position



Minimum Frame Face Required

- 3-7/8" minimum required for 351 Top Jamb applications for both single and double rabbeted frames

Minimum Door Top Rail Required to Mount Closer Foot

- 2" (51mm) minimum
- Rail height used will vary depending on type and make of auxiliary holder

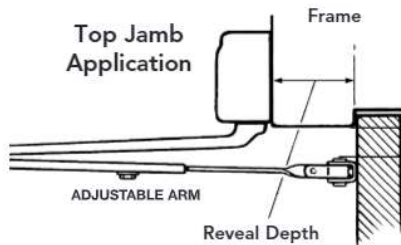
Adjustable Closing Force

- Interior doors to 5'0" wide
- Exterior doors to 4'0" wide
- Shipped factory preset for 3'0" door
- Factory pre-sized upon request

351 Typical Reveal Top Jamb Applications

For reveals up to 2" (51mm) maximum

- O Arm - Max. Door Opening: 180°
- H Arm - Hold Open Range: 80° – 180°



351 Extra Deep Reveal Top Jamb Applications

For reveals from 5-1/8" (130mm) to 8" (230mm)

- OZA Arm - Max. Door Opening: 140°
- HZA Arm - Hold Open Range: 80° – 130°

351 Deep Reveal Top Jamb Applications

For reveals from 2-1/8" (54mm) to 5" (127mm)

- OZ Arm - Max. Door Opening: 140°
- HZ Arm - Hold Open Range: 80° – 140°

351-A & 351-B Mounting Plates

These Mounting Plates permits closers to be mounted for special applications when overhead auxiliary door holders are used or in low ceiling applications for both single and double rabbeted frames.

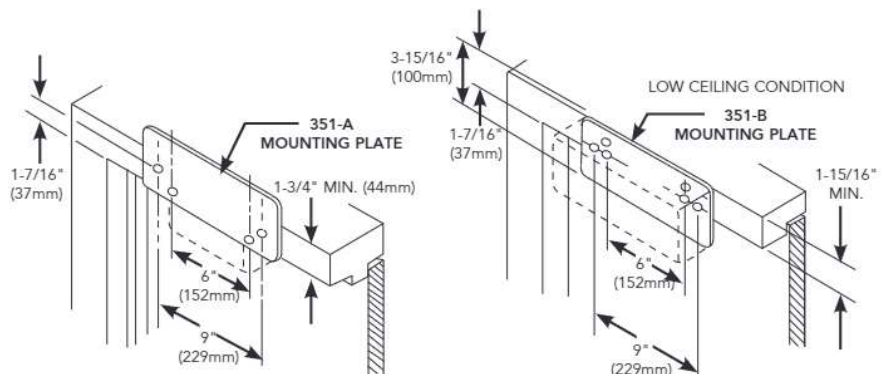
351-A Mounting Plate

The 351-A allows top jamb mounting of a 351 with a 1-3/4" minimum frame clearance.

351-B Mounting Plate

The 351-B for low ceiling applications allows top jamb mounting of a 351 with a minimum 1-15/16" frame.

- Plates are painted or plated steel to match closer
- Plates are non-handed
- Order as 351-A x finish or 351-B x finish



Copyright © 2005-2023, SARGENT Manufacturing Company. All rights reserved. Reproduction in whole or in part, without the express written permission of SARGENT Manufacturing Company is prohibited. Patent pending and/or patent www.assaabloy.com/patents.

90120 08/23

Arms for Top Jamb Applications

351 Series Powerglide®

Narrow Reveal

O - Standard Arm

- Forged Steel Main Arm
- For reveals up to 2" (51mm)
- Non-handed
- Permits 180° door opening

Order as 25-O x finish for arm only
Includes: 63-2607 - Main arm assembly
63-2216 - Foot assembly
63-3684 - Screw pack



H - Hold Open Arm

- Forged Steel Main Arm
- For reveals up to 2" (51mm)
- Adjustable friction holder
- Non-handed
- Permits 180° door opening

Order as 25-H x finish for arm only
Includes: 63-3070 - Main arm assembly
61-2303 - Foot assembly
63-3684 - Screw pack



Deep Reveal Arms

OZ - Standard Arm for Deep Reveals

- Forged Steel Main Arm
- For reveals from 2-1/8" (54mm) to 5" (127mm)
- Non-handed
- Permits 140° door opening

Order as 25-OZ x finish for arm only
Includes: 63-2607 - Main arm assembly
63-2217 - Foot assembly
63-3684 - Screw pack



HZ - Hold Open Arm for Deep Reveals

- Forged Steel Main Arm
- For reveals from 2-1/8" (54mm) to 5" (127mm)
- Adjustable friction holder
- Non-handed
- Permits 140° door opening

Order as 25-HZ x finish for arm only
Includes: 63-2230 - Main arm assembly
61-2303 - Foot assembly
63-3684 - Screw pack



Extra Deep Reveal Arms

OZA - Standard Arm for Extra Deep Reveal

- Forged Steel Main Arm
- For reveals 5-1/8" (130mm) to 8" (203mm)
- Non-handed
- Permits 140° door opening

Order as 25-OZA x finish for arm only
Includes: 63-2607 - Main arm assembly
63-2218 - Foot assembly
63-3684 - Screw pack



HZA - Hold Open Arm for Extra Deep Reveal

- Forged Steel Main Arm
- For reveals 5-1/8" (130mm) to 8" (203mm)
- Adjustable friction holder
- Non-handed
- Permits 140° door opening

Order as 25-HZA x finish for arm only
Includes: 63-2231 - Main arm assembly
61-2303 - Foot assembly
63-3684 - Screw pack

