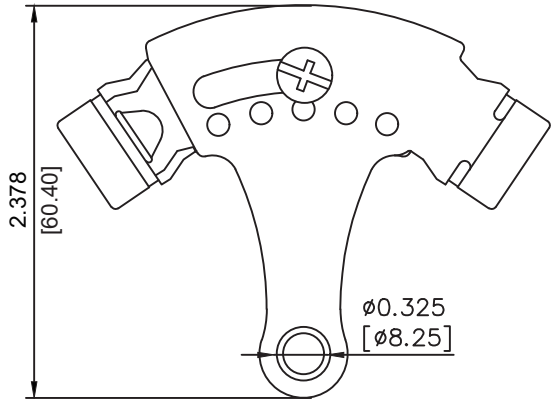


Adjustable Hinge Pin Stop

Product Specification

Adjustable Hinge Pin Stop



Features

- Material: Steel and Plastic
- Screw-free design
- Provided with screw pack
- Available in multiple finishes
- Overall size: 2.378" x 0.325"

Model Numbers

Item Code	Finish	Box Qty	Case Qty
GBH-DSHPA-PC	US26	100	300
GBH-DSHPA-SN	US15	100	300
GBH-DSHPA-MB	US19	100	300

