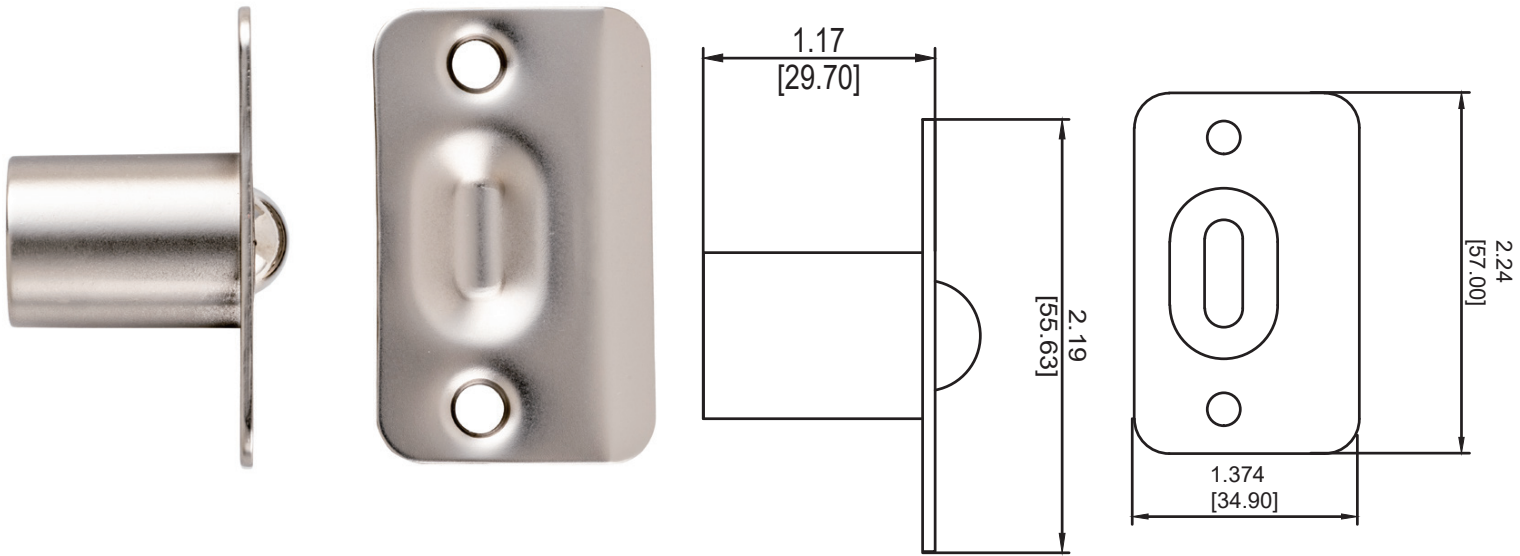


Ball Catch

Product Specification

Ball Catch



Features

- Material: Zinc Die Cast and Steel
- Exposed screws
- Provide with screw pack
- Available in multiple finishes
- Overall size: 2.19" X 1.17", 2.24" X 1.374"

Model Numbers

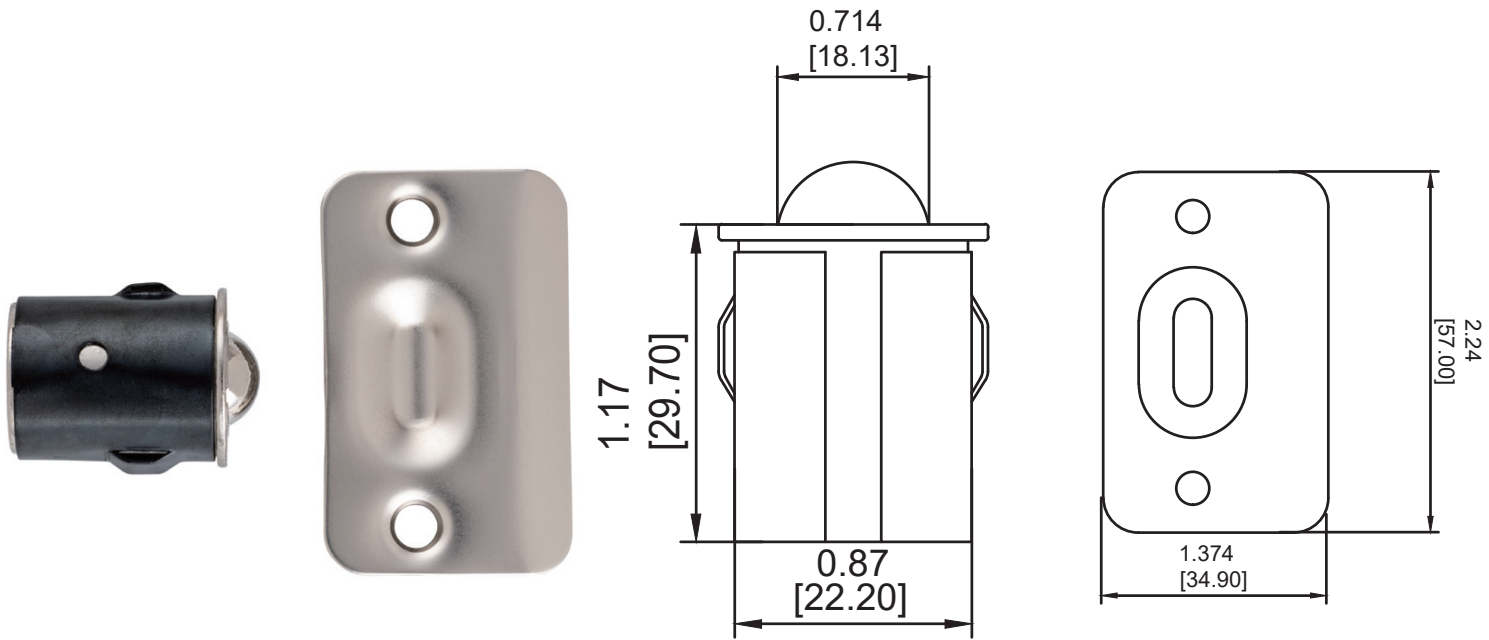
Item Code	Finish	Box Qty	Case Qty
GBH-BCRC-PC	US26	50	200
GBH-BCRC-SN	US15	50	200
GBH-BCRC-MB	US19	50	200



Ball Catch

Product Specification

Ball Catch



Features

- Material: Zinc Die Cast and Steel
- Exposed screws
- Provide with screw pack
- Available in multiple finishes
- Overall size: 0.87" X 1.17", 2.24" X 1.374"

Model Numbers

Item Code	Finish	Box Qty	Case Qty
GBH-BCDIS-PC	US26	50	200
GBH-BCDIS-SN	US15	50	200
GBH-BCDIS-MB	US19	50	200

