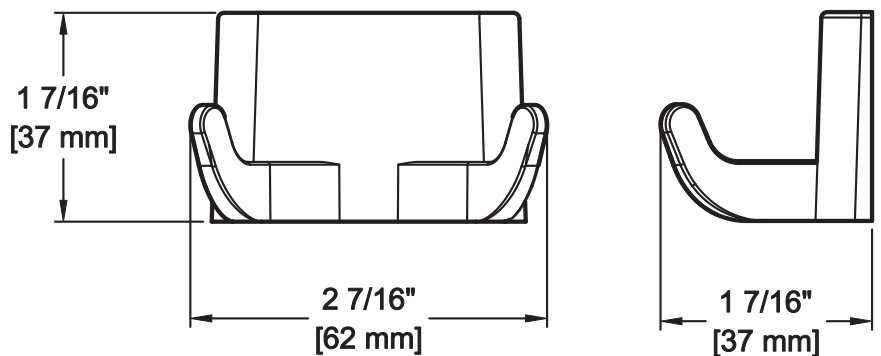


# Traditional Collection

## Product Specification

## Double Robe Hook



### Features

- Material: Zinc
- Concealed screws
- Provided with screw pack
- Available in multiple finishes
- Overall size: 2-7/16" x 1-7/16"

### Model Numbers

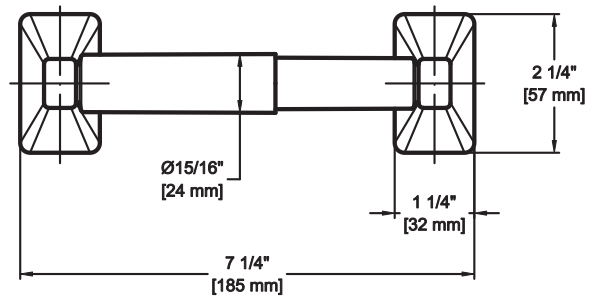
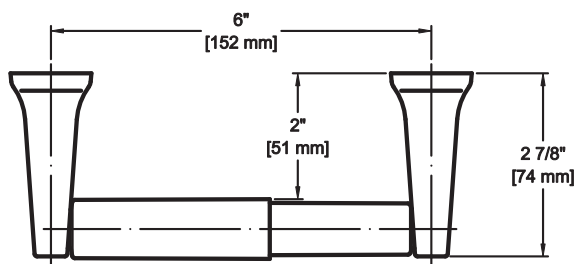
Item Code	Finish	Box Qty	Case Qty
GBA-OLDRH-PC	US26	25	100
GBA-OLDRH-SN	US15	25	100
GBA-OLDRH-MB	US19	25	100



# Traditional Collection

## Product specification

## Paper Holder



## Features

- Material: Zinc + Plastic roller
- Concealed screws
- Provided with screw pack
- Available in multiple finishes
- Overall size: 7-1/4" x 2-1/4"

## Model Numbers

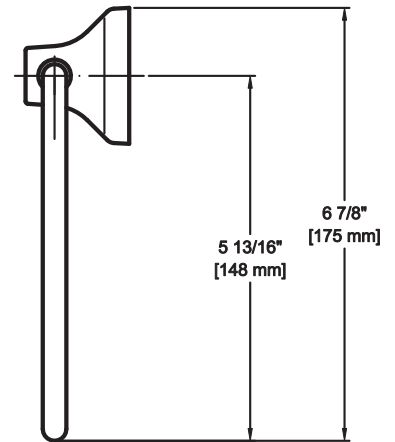
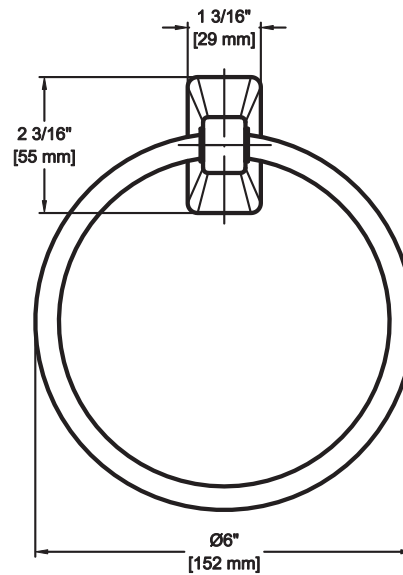
Item Code	Finish	Box Qty	Case Qty
GBA-OLSPHW-PC	US26	5	50
GBA-OLSPHW-SN	US15	5	50
GBA-OLSPHW-MB	US19	5	50



# Traditional Collection

## Product specification

## Towel Ring



## Features

- Material: Zinc + Aluminum ring
- Concealed screws
- Provided with screw pack
- Available in multiple finishes
- Overall size: 6-7/8" x 1-3/16"

## Model Numbers

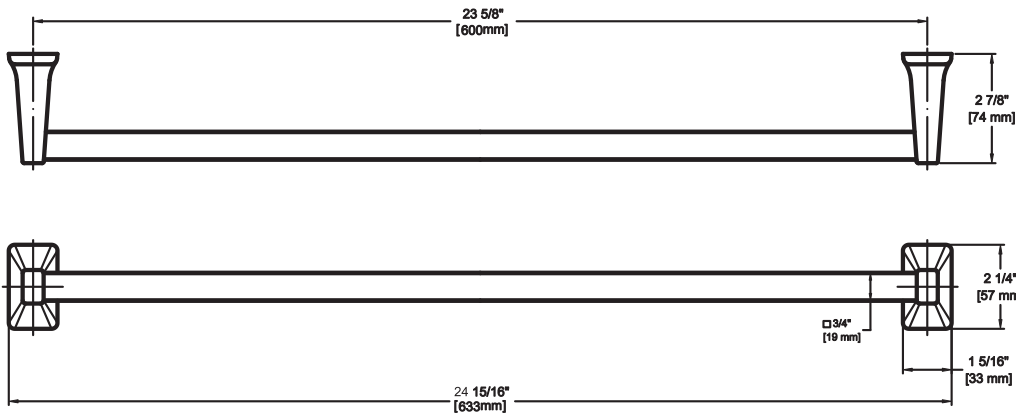
Item Code	Finish	Box Qty	Case Qty
GBA-OLMTR-PC	US26	25	100
GBA-OLMTR-SN	US15	25	100
GBA-OLMTR-MB	US19	25	100



# Traditional Collection

Product specification

**Tower Bar Set**



## Features

- Material: Zinc + Aluminum bar
- Concealed screws
- Provided with screw pack
- Available in multiple finishes
- Overall size: 23-5/8" x 2-7/8"

## Model Numbers

Item Code	Finish	Box Qty	Case Qty
GBA-OL2434-PC	US26	10	40
GBA-OL2434-SN	US15	10	40
GBA-OL2434-MB	US19	10	40

