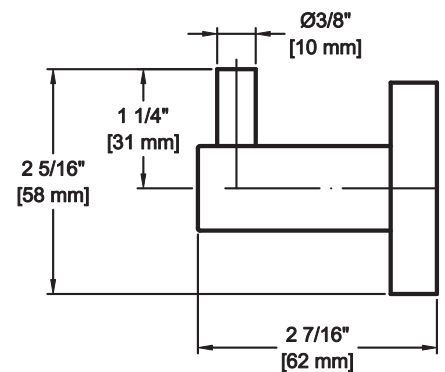
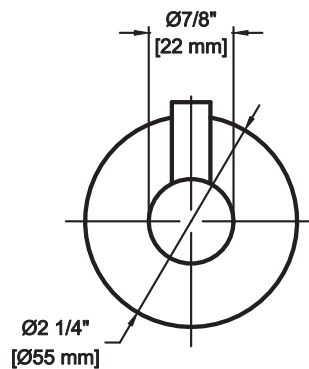
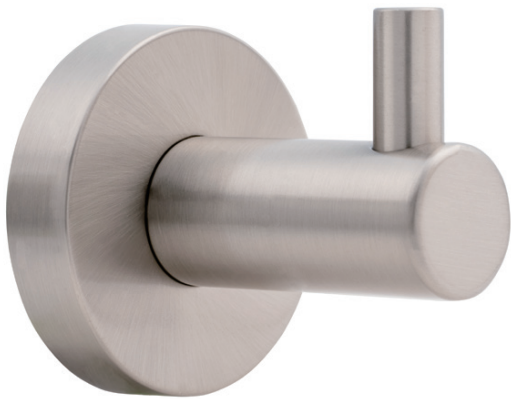


Contemporary Collection

Product Specification

Single Robe Hook



Features

- Material: Zinc
- Concealed screws
- Provided with screw pack
- Available in multiple finishes
- Overall size: 2-5/16" x 2-7/16"

Model Numbers

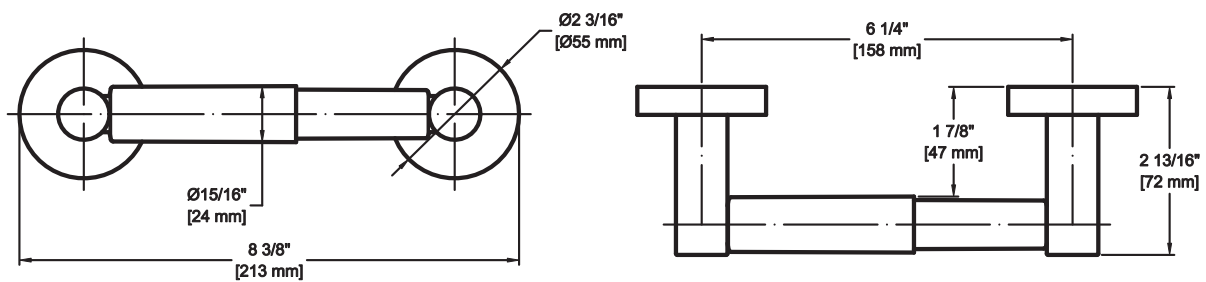
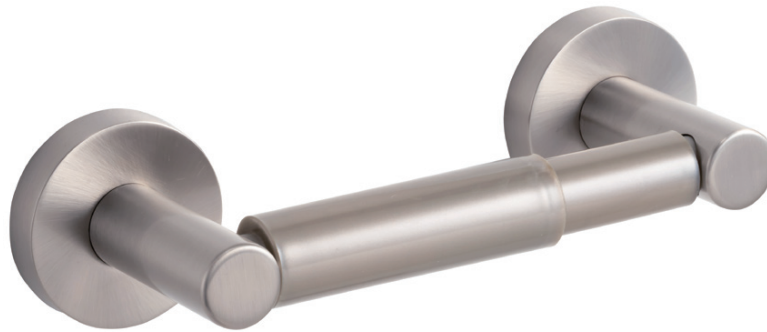
Item Code	Finish	Box Qty	Case Qty
GBA-GBSRH-SN	US15	5	50
GBA-GBSRH-PC	US26	5	50
GBA-GBSRH-MB	US19	5	50



Contemporary Collection

Product Specification

Paper Holder



Features

- Material: Zinc + Plastic roller
- Concealed screws
- Provided with screw pack
- Available in multiple finishes
- Overall size: 8-3/8" x 2-13/16"

Model Numbers

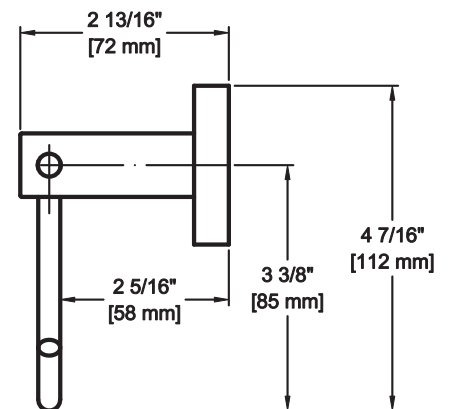
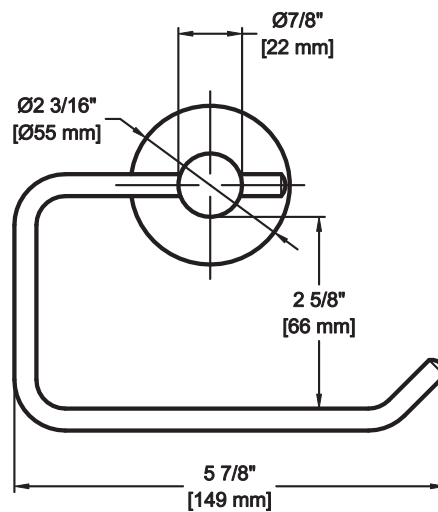
Item Code	Finish	Box Qty	Case Qty
GBA-GBSPH-MB	US19	5	50
GBA-GBSPH-PC	US26	5	50
GBA-GBSPH-SN	US15	5	50



Contemporary Collection

Product Specification

Paper Holder



Features

- Material: Zinc + Steel hook
- Concealed screws
- Provided with screw pack
- Available in multiple finishes
- Overall size: $2\text{-}13/16"$ x $5\text{-}7/8"$

Model Numbers

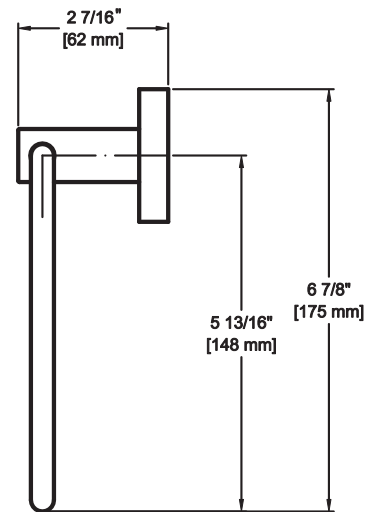
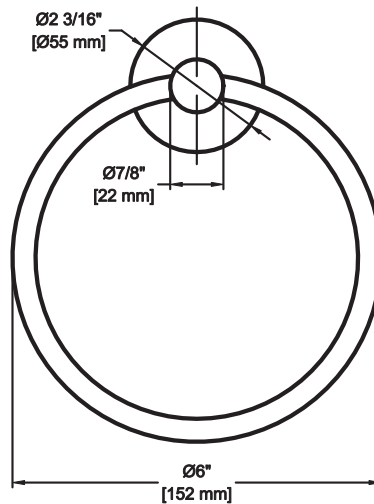
Item Code	Finish	Box Qty	Case Qty
GBA-GBEPH-MB	US19	5	50
GBA-GBEPH-PC	US26	5	50
GBA-GBEPH-SN	US15	5	50



Contemporary Collection

Product Specification

Towel Ring



Features

- Material: Zinc + Aluminum ring
- Concealed screws
- Provided with screw pack
- Available in multiple finishes
- Overall size: 6-7/8" x 2-7/16"

Model Numbers

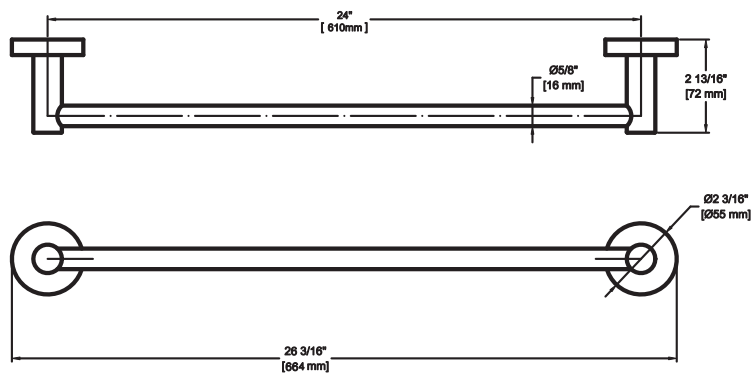
Item Code	Finish	Box Qty	Case Qty
GBA-GBCTR-MB	US19	5	50
GBA-GBCTR-PC	US26	5	50
GBA-GBCTR-SN	US15	5	50



Contemporary Collection

Product Specification

Tower Bar Set



Features

- Material: Zinc + Aluminum bar
- Concealed screws
- Provided with screw pack
- Available in multiple finishes
- Overall size: 24" x 2-13/16"

Model Numbers

Item Code	Finish	Box Qty	Case Qty
GBA-GB2458-MB	US19	10	40
GBA-GB2458-PC	US26	10	40
GBA-GB2458-SN	US15	10	40

