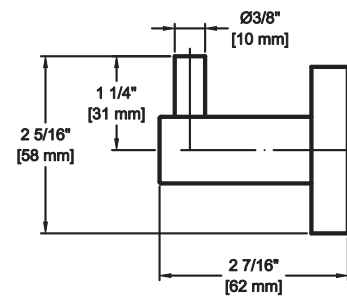
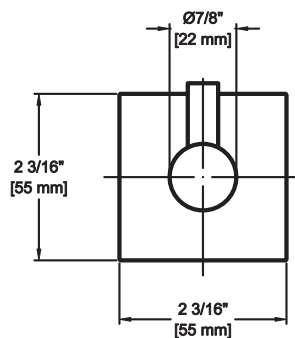
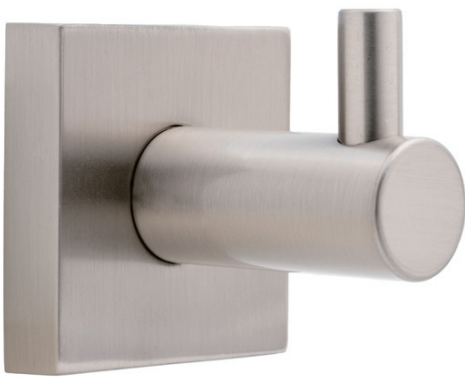


Modern Collection

Product Specification

Single Robe Hook



Features

- Material: Zinc
- Concealed screws
- Provided with screw pack
- Available in multiple finishes
- Overall size: 2-5/16" x 2-7/16"

Model Numbers

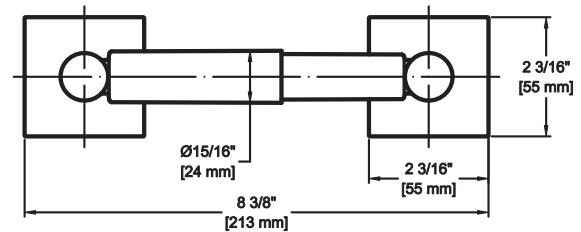
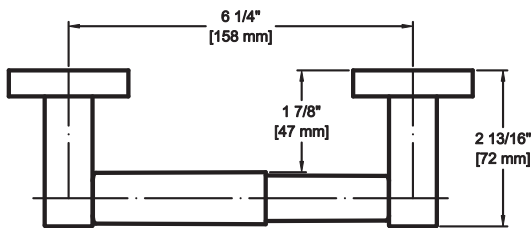
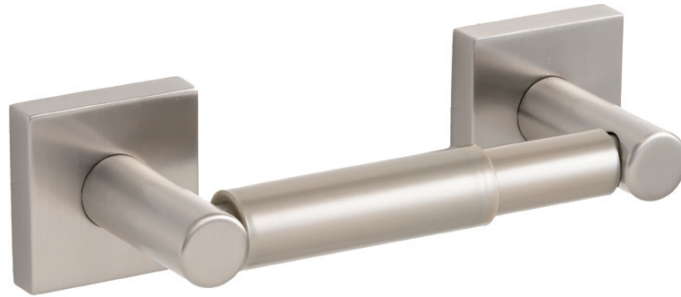
Item Code	Finish	Box Qty	Case Qty
GBA-GBSRH-SN	US15	5	50
GBA-GBSRH-PC	US26	5	50
GBA-GBSRH-MB	US19	5	50



Modern Collection

Product Specification

Paper Holder



Features

- Material: Zinc + Plastic roller
- Concealed screws
- Provided with screw pack
- Available in multiple finishes
- Overall size: $8\text{-}3/8'' \times 2\text{-}13/16''$

Model Numbers

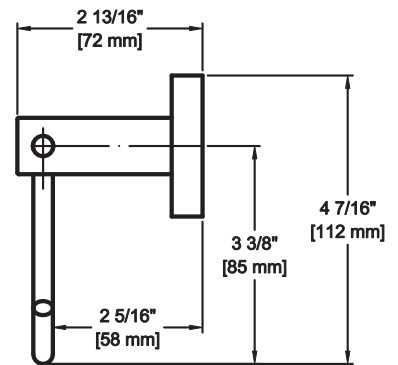
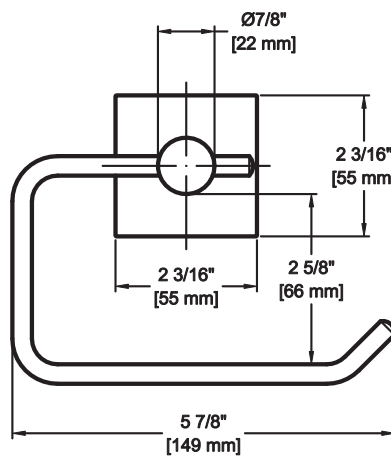
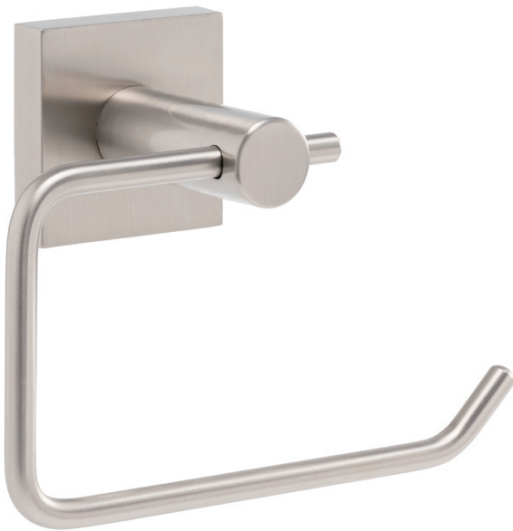
Item Code	Finish	Box Qty	Case Qty
GBA-EMSPH-MB	US19	5	50
GBA-EMSPH-PC	US26	5	50
GBA-EMSPH-SN	US15	5	50



Modern Collection

Product Specification

Paper Holder



Features

- Material: Zinc + Steel hook
- Concealed screws
- Provided with screw pack
- Available in multiple finishes
- Overall size: 2-13/16" x 5-7/8"

Model Numbers

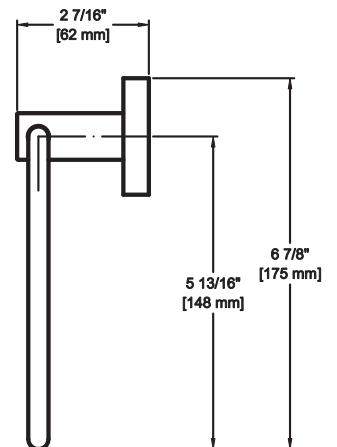
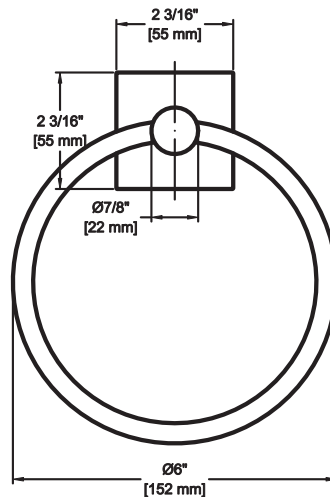
Item Code	Finish	Box Qty	Case Qty
GBA-EMEPH-MB	US19	5	50
GBA-EMEPH-PC	US26	5	50
GBA-EMEPH-SN	US15	5	50



Modern Collection

Product Specification

Towel Ring



Features

- Material: Zinc + Aluminum ring
- Concealed screws
- Provided with screw pack
- Available in multiple finishes
- Overall size: 6-7/8" x 2-7/16"

Model Numbers

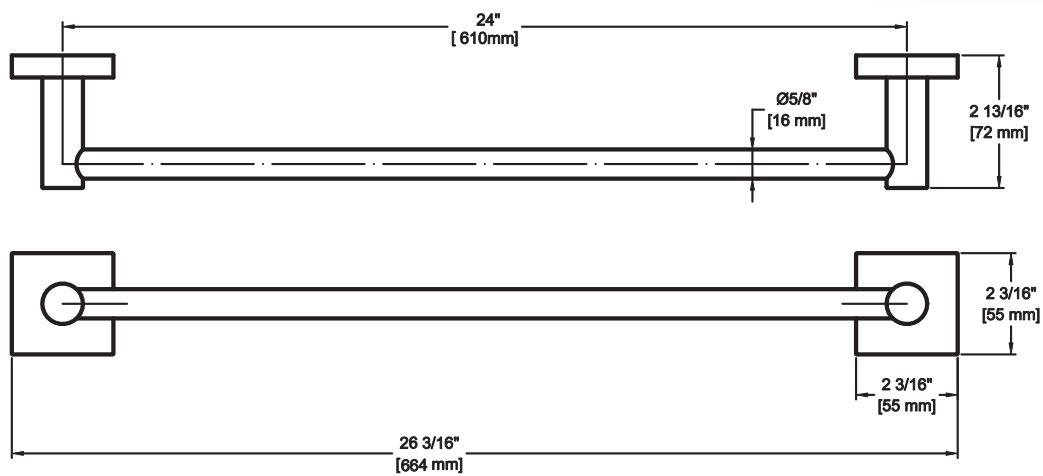
Item Code	Finish	Box Qty	Case Qty
GBA-EMCTR-MB	US19	5	50
GBA-EMCTR-PC	US26	5	50
GBA-EMCTR-SN	US15	5	50



Modern Collection

Product Specification

Towel Bar Set



Features

- Material: Zinc + Aluminum bar
- Concealed screws
- Provided with screw pack
- Available in multiple finishes
- Overall size: 24" x 2-13/16"

Model Numbers

Item Code	Finish	Box Qty	Case Qty
GBA-EMCTR-MB	US19	10	40
GBA-EMCTR-PC	US26	10	40
GBA-EMCTR-SN	US15	10	40

