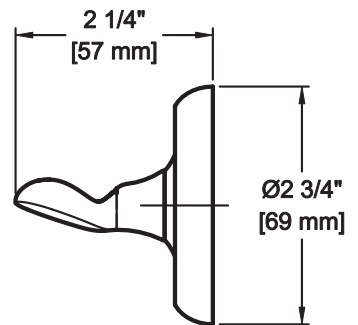
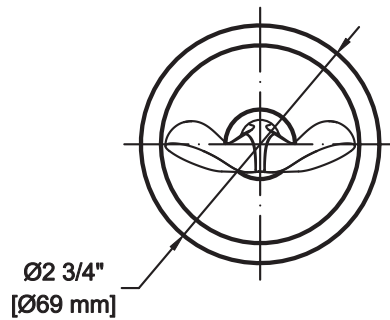


Classic Collection

Product Specification

Double Robe Hook



Features

- Material: Zinc
- Concealed screws
- Provided with screw pack
- Available in multiple finishes
- Overall size: 2-1/4" x 2-3/4"

Model Numbers

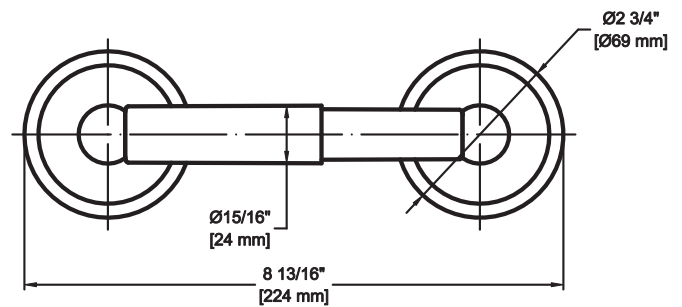
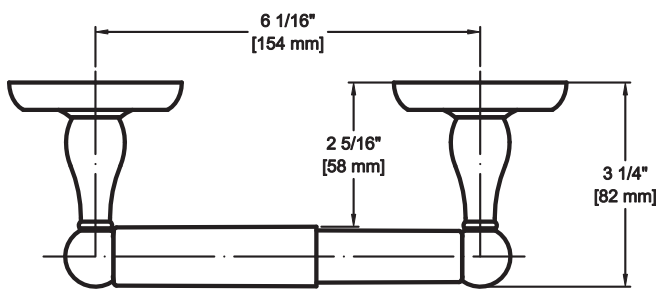
Item Code	Finish	Box Qty	Case Qty
GBA-EVMTR-MB	US19	5	50
GBA-EVMTR-SC	US26	5	50
GBA-EVMTR-SN	US15	5	50



Classic Collection

Product Specification

Paper Holder



Features

- Material: Zinc + Plastic roller
- Concealed screws
- Provided with screw pack
- Available in multiple finishes
- Overall size: 8-13/16" x 2-3/4"

Model Numbers

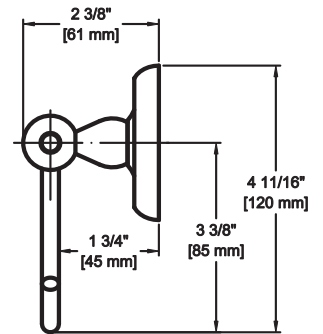
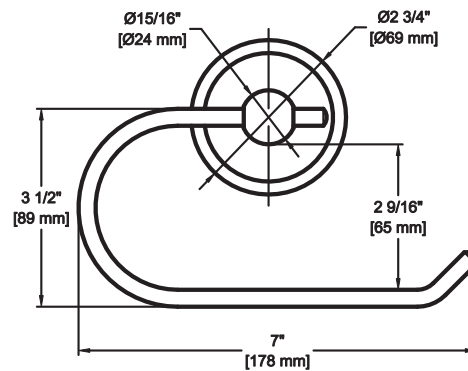
Item Code	Finish	Box Qty	Case Qty
GBA-EVSPH-MB	US19	5	50
GBA-EVSPH-PC	US26	5	50
GBA-EVMTR-SN	US15	5	50



Classic Collection

Product Specification

Paper Holder



Features

- Material: Zinc + Steel hook
- Concealed screws
- Provided with screw pack
- Available in multiple finishes
- Overall size: 2-3/8" x 7"

Model Numbers

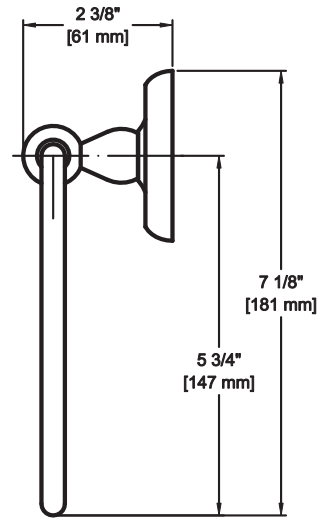
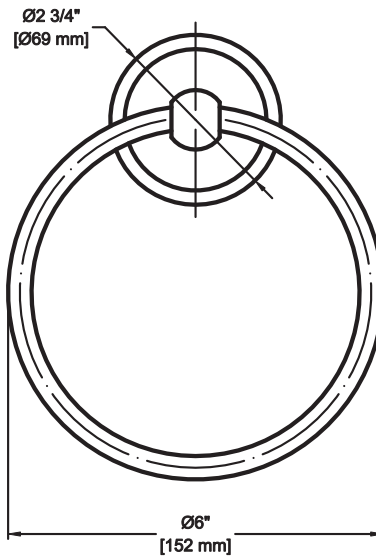
Item Code	Finish	Box Qty	Case Qty
GBA-EVEPH-MB	US19	5	50
GBA-EVEPH-PC	US26	5	50
GBA-EVEPH-SN	US15	5	50



Classic Collection

Product Specification

Towel Ring



Features

- Material: Zinc
- Concealed screws
- Provided with screw pack
- Available in multiple finishes
- Overall size: 7-1/8" x 2-3/8"

Model Numbers

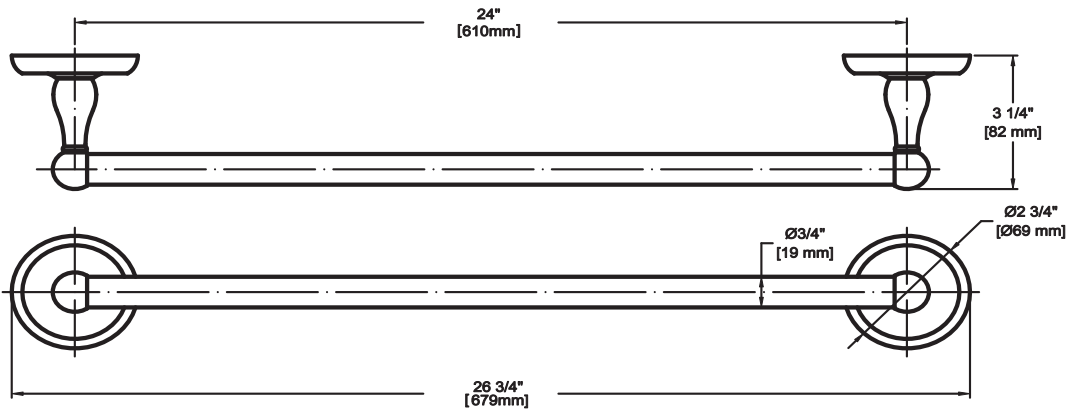
Item Code	Finish	Box Qty	Case Qty
GBA-EVMTR-MB	US19	5	50
GBA-EVMTR-SC	US26	5	50
GBA-EVMTR-SN	US15	5	50



Classic Collection

Product Specification

Tower Bar Set



Features

- Material: Zinc + Aluminum Bar
- Concealed screws
- Provided with screw pack
- Available in multiple finishes
- Overall size: 24" x 2-3/4"

Model Numbers

Item Code	Finish	Box Qty	Case Qty
GBA-EV2434-MB	US19	10	40
GBA-EV2434-PC	US26	10	40
GBA-EV2434-SN	US15	10	40

