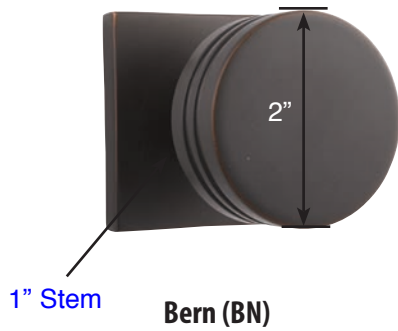


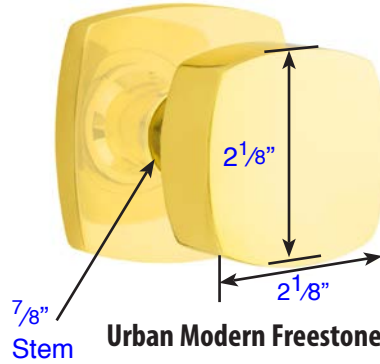
2<sup>1</sup>/<sub>4</sub>" Projection



**Bern (BN)**

with Square Rosette

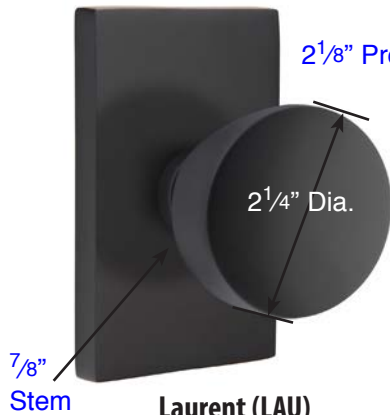
2<sup>1</sup>/<sub>4</sub>" Projection



**Urban Modern Freestone (FRK)**

with Urban Modern Rosette

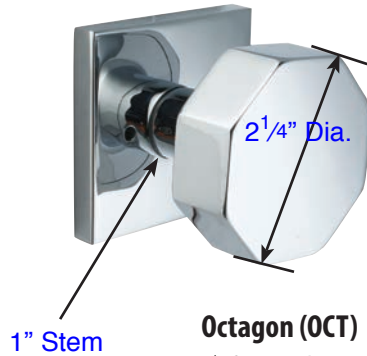
2<sup>1</sup>/<sub>8</sub>" Projection



**Laurent (LAU)**

with Modern Rectangular Rosette

2<sup>1</sup>/<sub>2</sub>" Projection

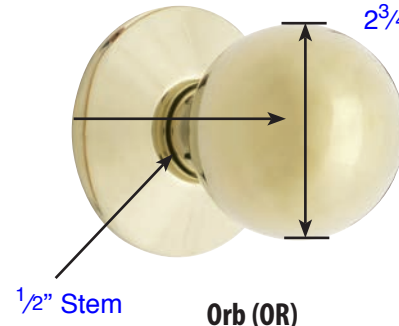


**Octagon (OCT)**

with Square Rosette

2" Dia.

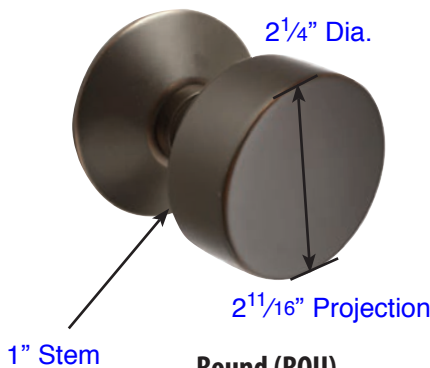
2<sup>3</sup>/<sub>4</sub>" Projection



**Orb (OR)**

with Modern Rosette

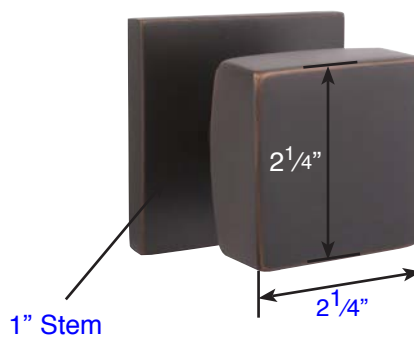
2<sup>1</sup>/<sub>4</sub>" Dia.



**Round (ROU)**

with Modern Rosette

2<sup>5</sup>/<sub>8</sub>" Projection



**Square (SQU)**

with Square Rosette

See page 3 for rosette specification.

**Door Thickness Specifications**

- Standard Door Thickness: 1<sup>1</sup>/<sub>4</sub>" - 2"
- Standard Components:
  - Privacy Pin (for privacy sets)
  - Inside Passage Half Spindle
  - 1<sup>1</sup>/<sub>2</sub>" Rosette Screws
  - Full-Lip Strike Plate

- **Extended** Door Thickness: 2" - 2<sup>1</sup>/<sub>2</sub>"
- Extended Components:
  - Privacy Pin w/ Extension (for privacy sets)
  - Long Inside Passage Half Spindle
  - 2" Rosette Screws
  - Extended Full-Lip Strike Plate

- **Extended** Door Thickness: 2<sup>1</sup>/<sub>2</sub>" - 3"
- Extended Components:
  - Privacy Pin w/ Extension (for privacy sets)
  - Extra Long Inside Passage Half Spindle
  - 2<sup>1</sup>/<sub>2</sub>" Rosette Screws
  - Extended Full-Lip Strike Plate